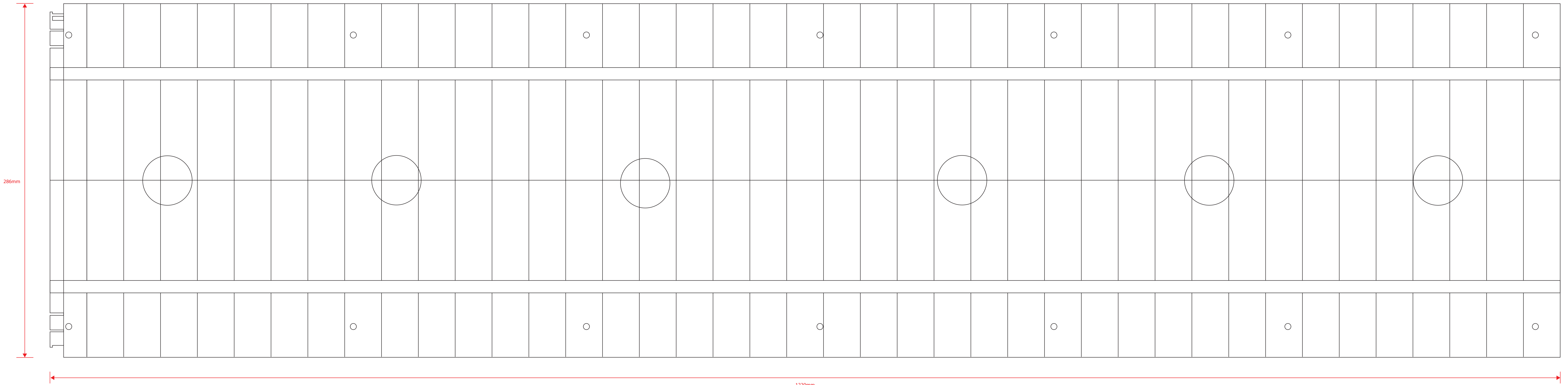


PLAN (TOP)

Outside measurements only

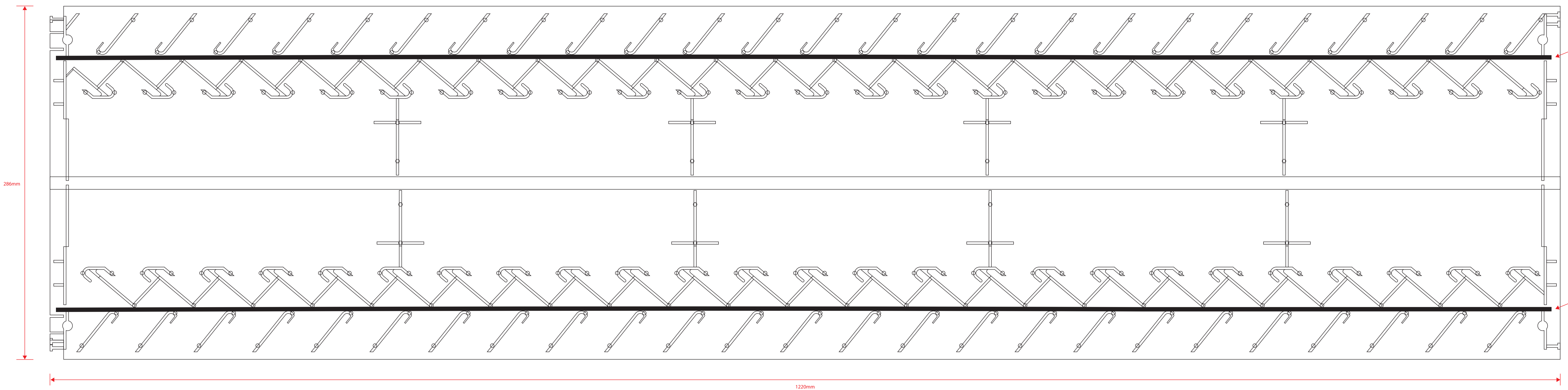
*Measurement based on RidgeMaster ridge vent, black Polypropylene (PP) at 5mm thickness. All measurements are approximate.



PLAN (UNDERSIDE)

Outside measurements only

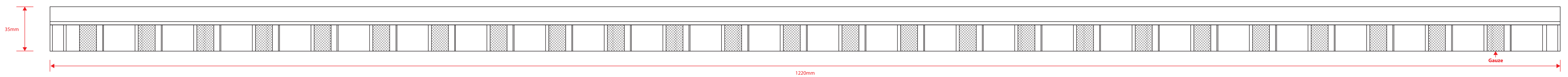
*Measurement based on RidgeMaster ridge vent, black Polypropylene (PP) at 5mm thickness. All measurements are approximate.



FRONT ELEVATION

Outside measurements only

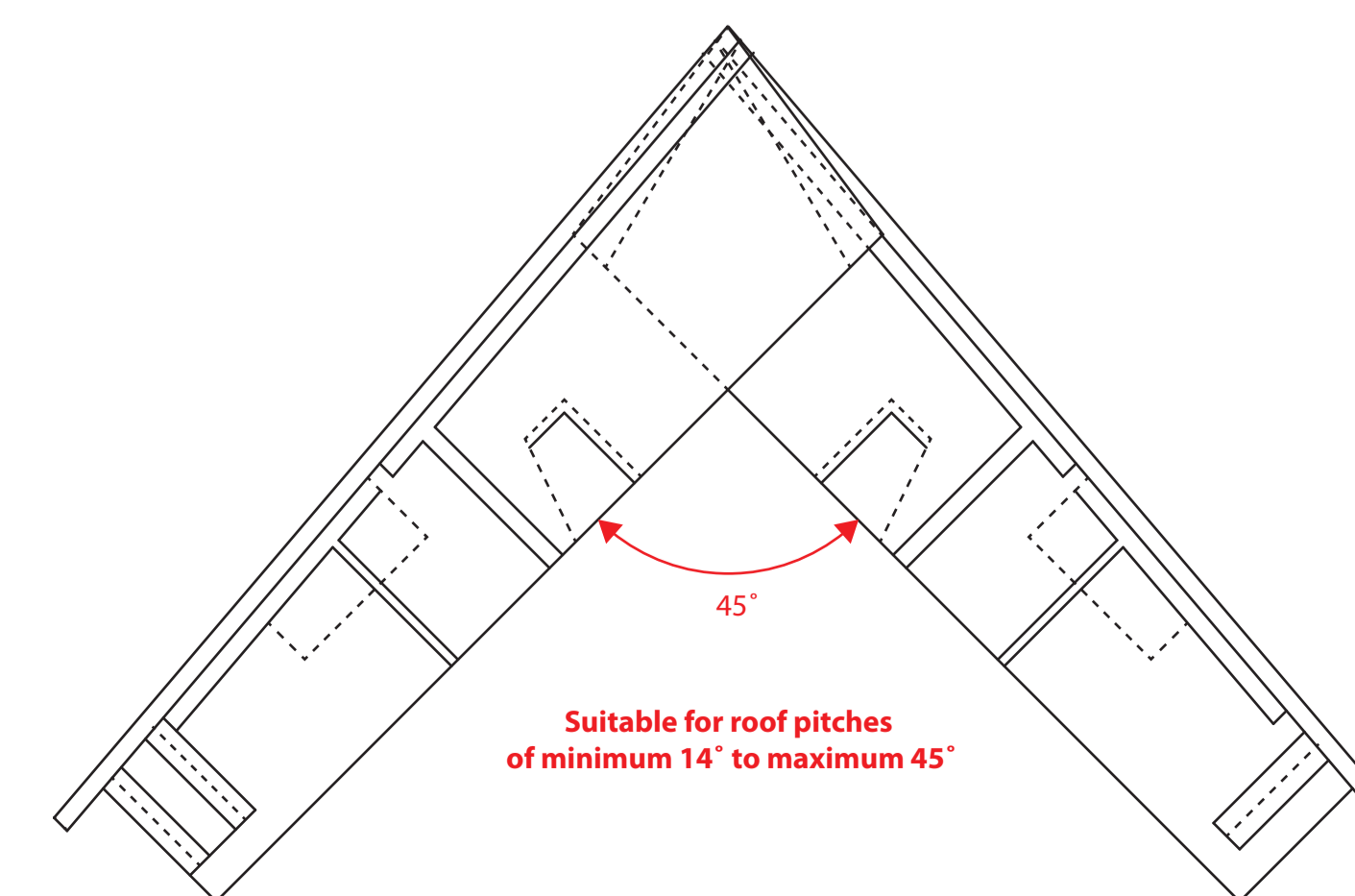
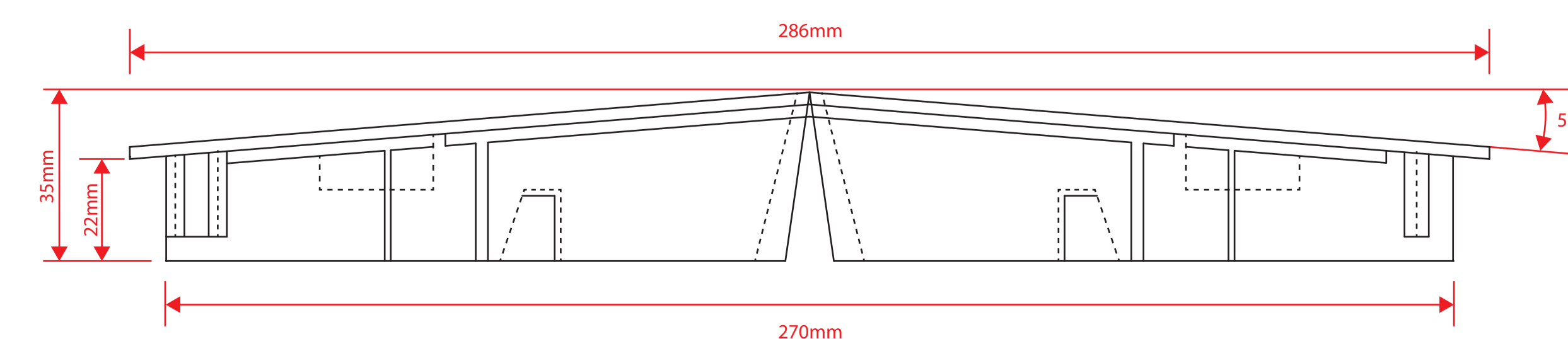
*Measurement based on RidgeMaster ridge vent, black Polypropylene (PP) at 5mm thickness. All measurements are approximate.



SIDE ELEVATION

Outside measurements only

*Measurement based on RidgeMaster ridge vent, black Polypropylene (PP) at 5mm thickness. All measurements are approximate.



TAPCOROOFINGPRODUCTS

TITLE: RidgeMaster Plus Ridge Ventilator

SCALE: 100%

MATERIAL: Black Polypropylene (PP)

NOTES:

Fixes under Classic Ridge & Hip Caps.
Dry fix ridge ventilation system with internal baffles keeps blowing snow and rain from entering, while an internal filter blocks out insects, leaves and other debris. Designed for roof pitches from 14 to 45 degrees, the RidgeMaster Plus easily adapts to a peak vent or flash vent. Nailing supports and structural ribs make the RidgeMaster Plus crushproof, to withstand falling tree branches and hammer blows, and it resists cracking. Self-aligning, interlocking ends make it easy to install correctly. Built-in end caps adjust to the roof pitch while the ship-lap design allows for expansion and contraction as temperatures change. Can be joined with HipMaster hip ventilator.
10,000mm²/m ventilation provision to comply with building regulations for both Warm and Cold roofs (above regulation minimum).
Sold in boxes of 10 units, each 4' (1.2m) in length. 1 box covers 12 linear metres of ridge.