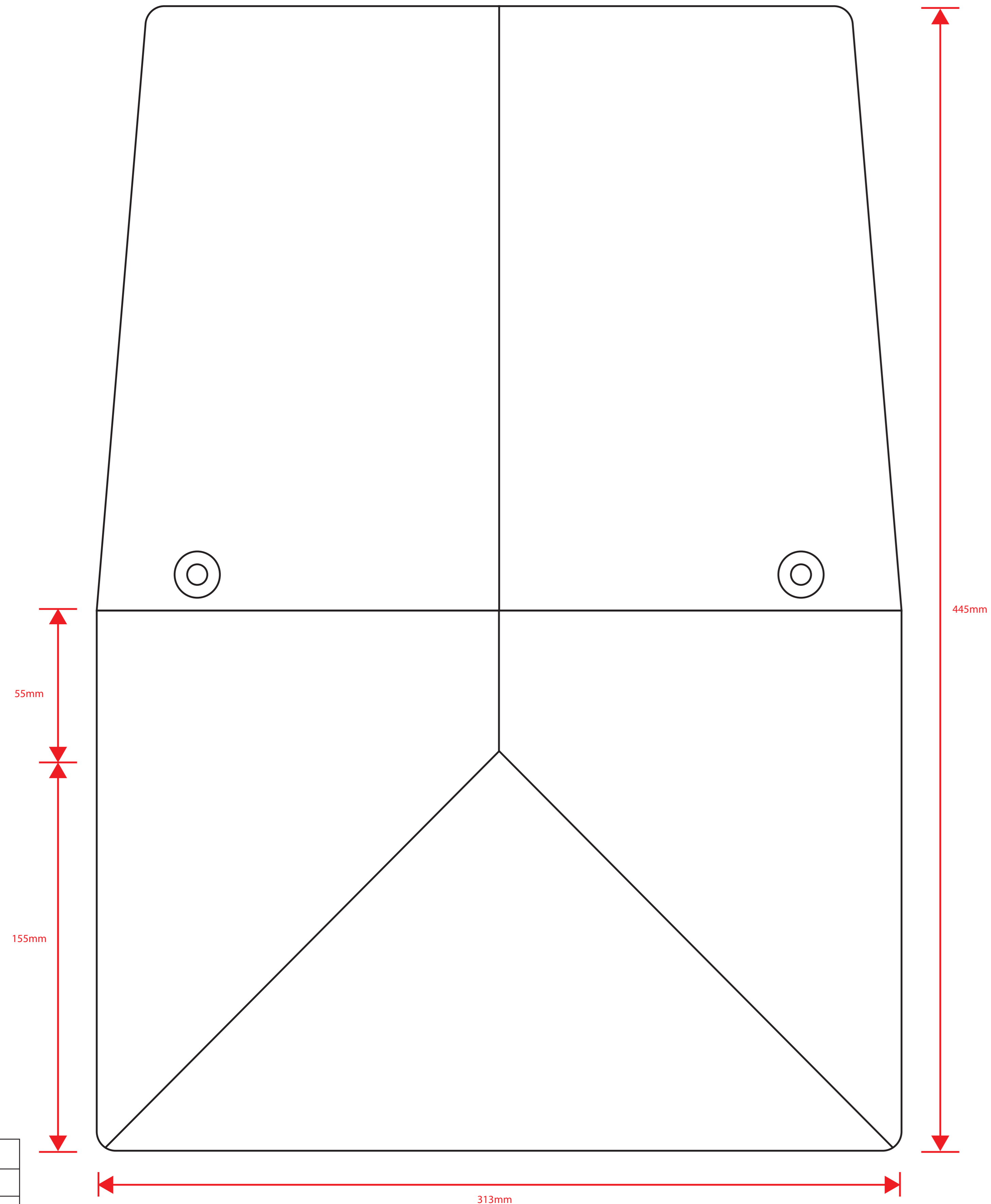


PLAN

Outside measurements only

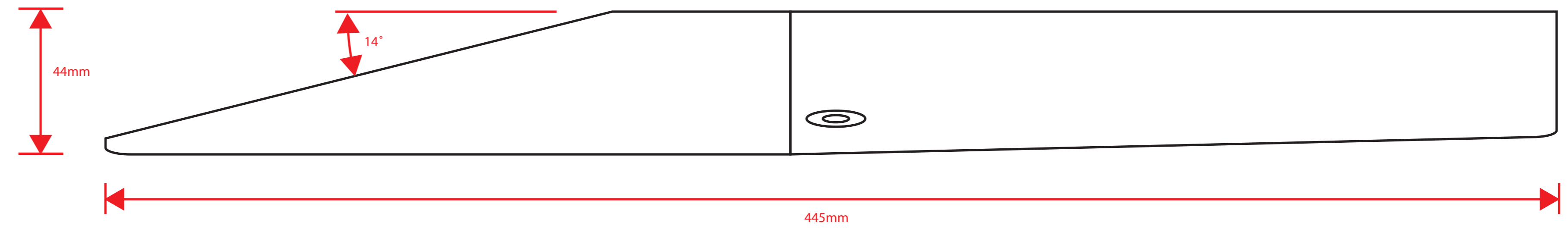
*Measurement based on TapcoSlate, 5mm thick. All measurements are approximate.



SIDE ELEVATION

Outside measurements only

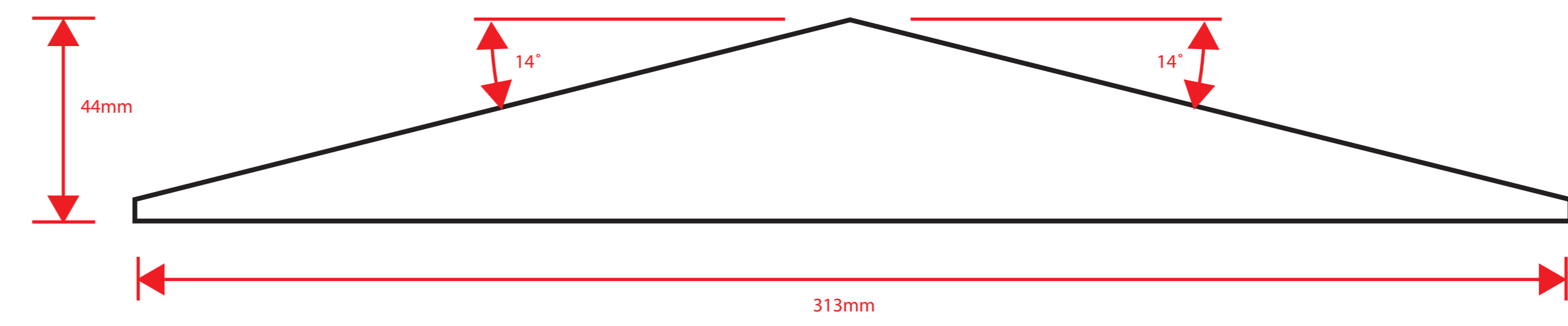
*Measurement based on TapcoSlate, 5mm thick. All measurements are approximate.



FRONT ELEVATION

Outside measurements only

*Measurement based on TapcoSlate, 5mm thick. All measurements are approximate.



TITLE: Tapco Angled 14° Ridge/Hip Cap

SCALE: 100%

MATERIAL: Cut/formed TapcoSlate

NOTES:

Ridge/Hip end cap for a 3-way conservatory or general roof. Formed of one TapcoSlate Ridge Cap plus one TapcoSlate Tile mitred and bonded together.

Three different degree angle units to produce this is the 14-17 degree version.