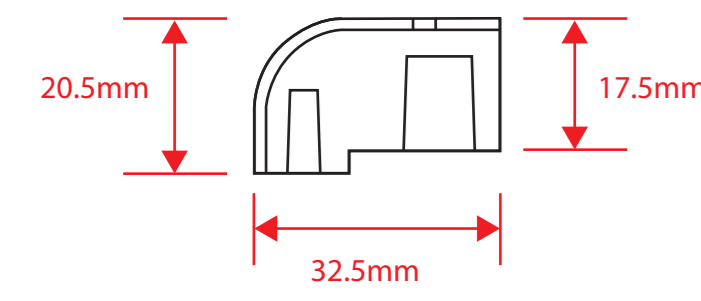


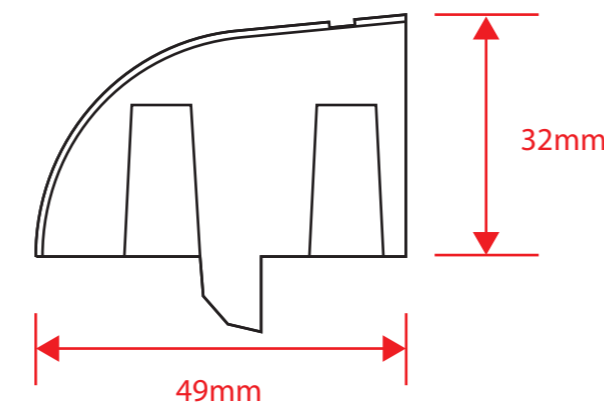
SIDE ELEVATION TEVK10 OVER FACSIA VENTILATOR

Outside measurements only
 *Measurement based 10,000mm²/m air flow over fascia vent. All measurements are approximate.



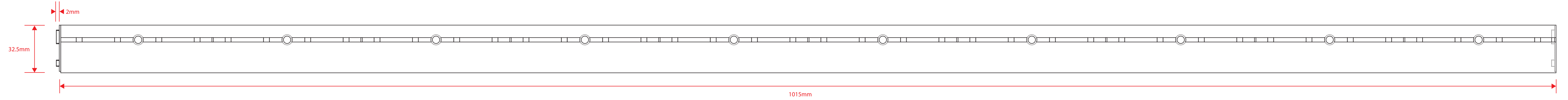
SIDE ELEVATION TEVK25 OVER FACSIA VENTILATOR

Outside measurements only
 *Measurement based 25,000mm²/m air flow over fascia vent. All measurements are approximate.



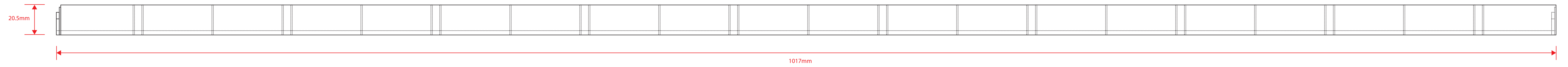
PLAN TEVK10 OVER FACSIA VENTILATOR

Outside measurements only
 *Measurement based 10,000mm²/m air flow over fascia vent. All measurements are approximate.



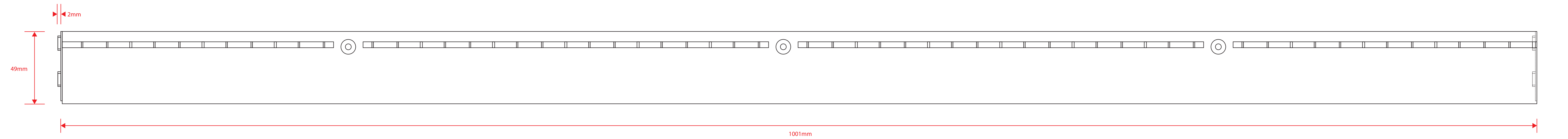
FRONT ELEVATION TEVK10 OVER FACSIA VENTILATOR

Outside measurements only
 *Measurement based 10,000mm²/m air flow over fascia vent. All measurements are approximate.



PLAN TEVK25 OVER FACSIA VENTILATOR

Outside measurements only
 *Measurement based 25,000mm²/m air flow over fascia vent. All measurements are approximate.



FRONT ELEVATION TEVK25 OVER FACSIA VENTILATOR

Outside measurements only
 *Measurement based 25,000mm²/m air flow over fascia vent. All measurements are approximate.

