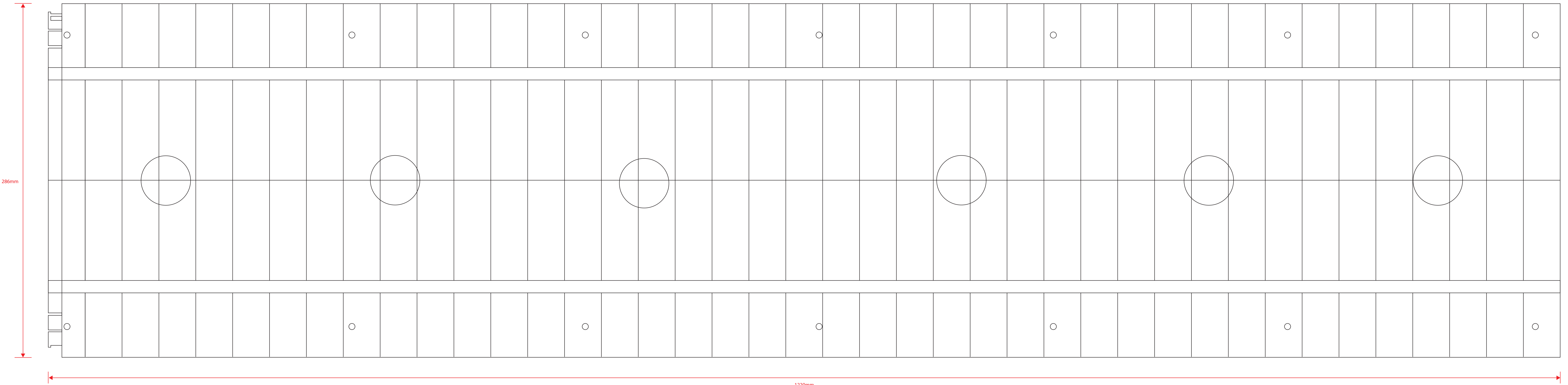


PLAN (TOP)

Outside measurements only

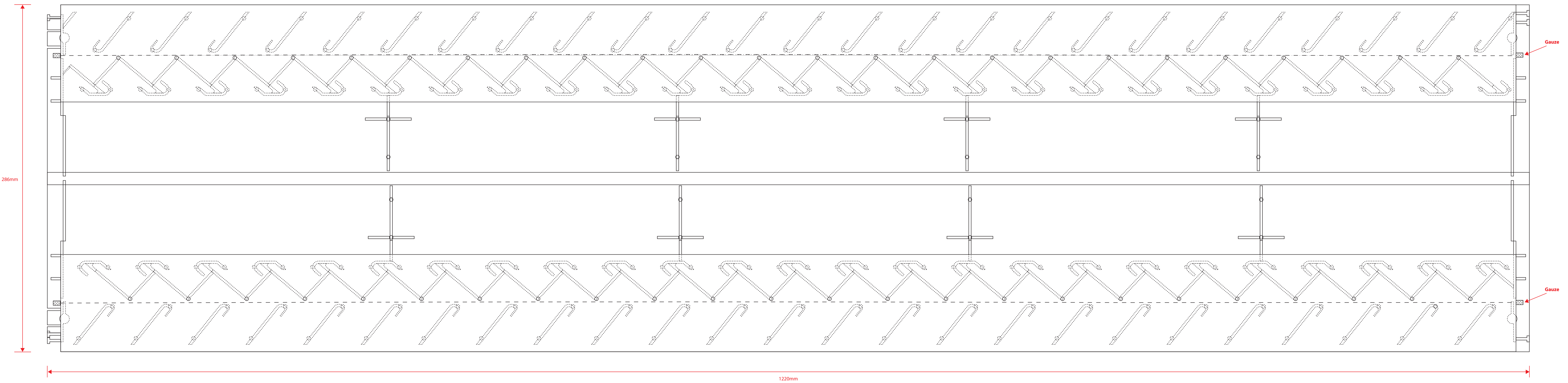
*Measurement based on HipMaster hip vent, black Polypropylene (PP) at 5mm thickness. All measurements are approximate.



PLAN (UNDERSIDE)

Outside measurements only

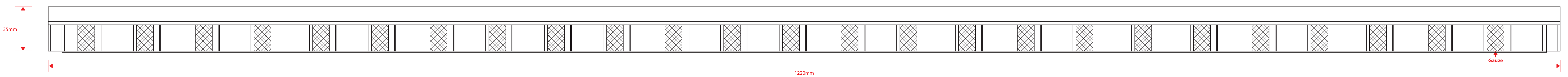
*Measurement based on HipMaster hip vent, black Polypropylene (PP) at 5mm thickness. All measurements are approximate.



FRONT ELEVATION

Outside measurements only

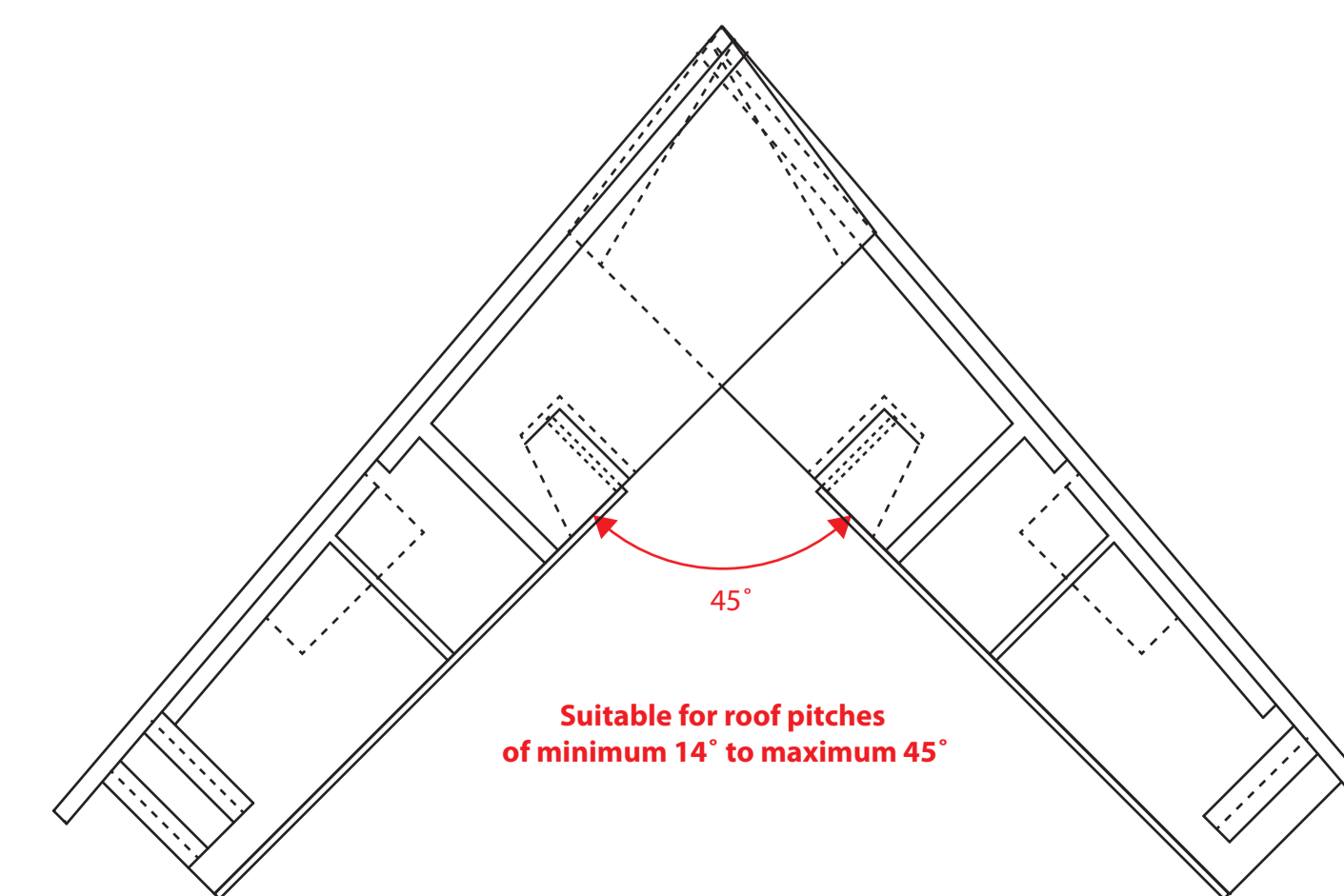
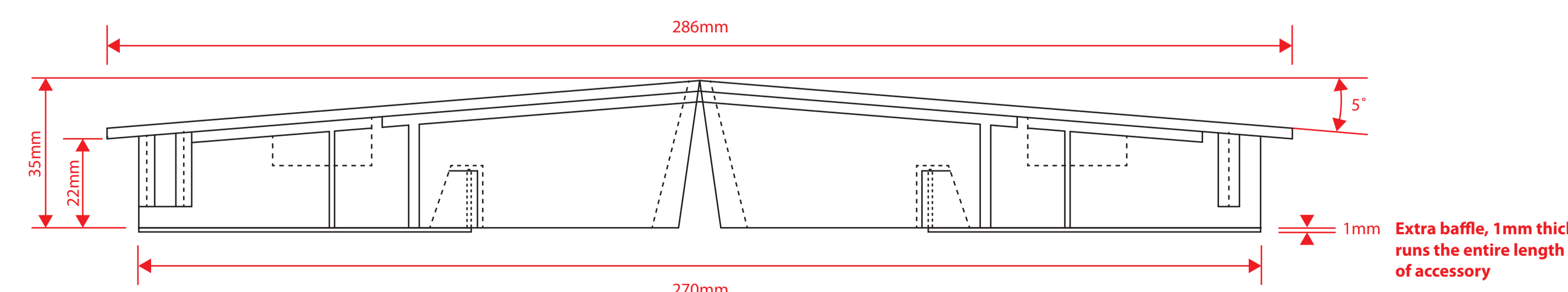
*Measurement based on HipMaster hip vent, black Polypropylene (PP) at 5mm thickness. All measurements are approximate.



SIDE ELEVATION

Outside measurements only

*Measurement based on HipMaster hip vent, black Polypropylene (PP) at 5mm thickness. All measurements are approximate.



TAPCOROOFINGPRODUCTS

TITLE: HipMaster Hip Ventilator

SCALE: 100%

MATERIAL: Black Polypropylene (PP)

NOTES:

Fixes under Classic Ridge & Hip Caps. Enhance roof ventilation at the hip with a patented triple-baffle system engineered to keep blowing rain and snow from getting in. In addition, an internal filter blocks out insects, leaves and other debris. The low-profile design, for roof pitches 14 to 45 degrees, is unobtrusive. Nailing supports and structural ribs make the HipMaster crushproof, to withstand falling tree branches and hammer blows, and it resists cracking. Self-aligning, interlocking ends make it easy to install correctly. Bulk-in end caps adjust to the roof pitch while the ship-lap design allows for expansion and contraction as temperatures change. Can be joined with RidgelMaster Plus ridge-ventilation, 10,000mm²/m ventilation provision to comply with building regulations for both Warm and Cold roofs (above regulation minimum).

Sold in boxes of 10 units, each 4' (1.2m) in length. 1 box covers 12 linear metres of hips.