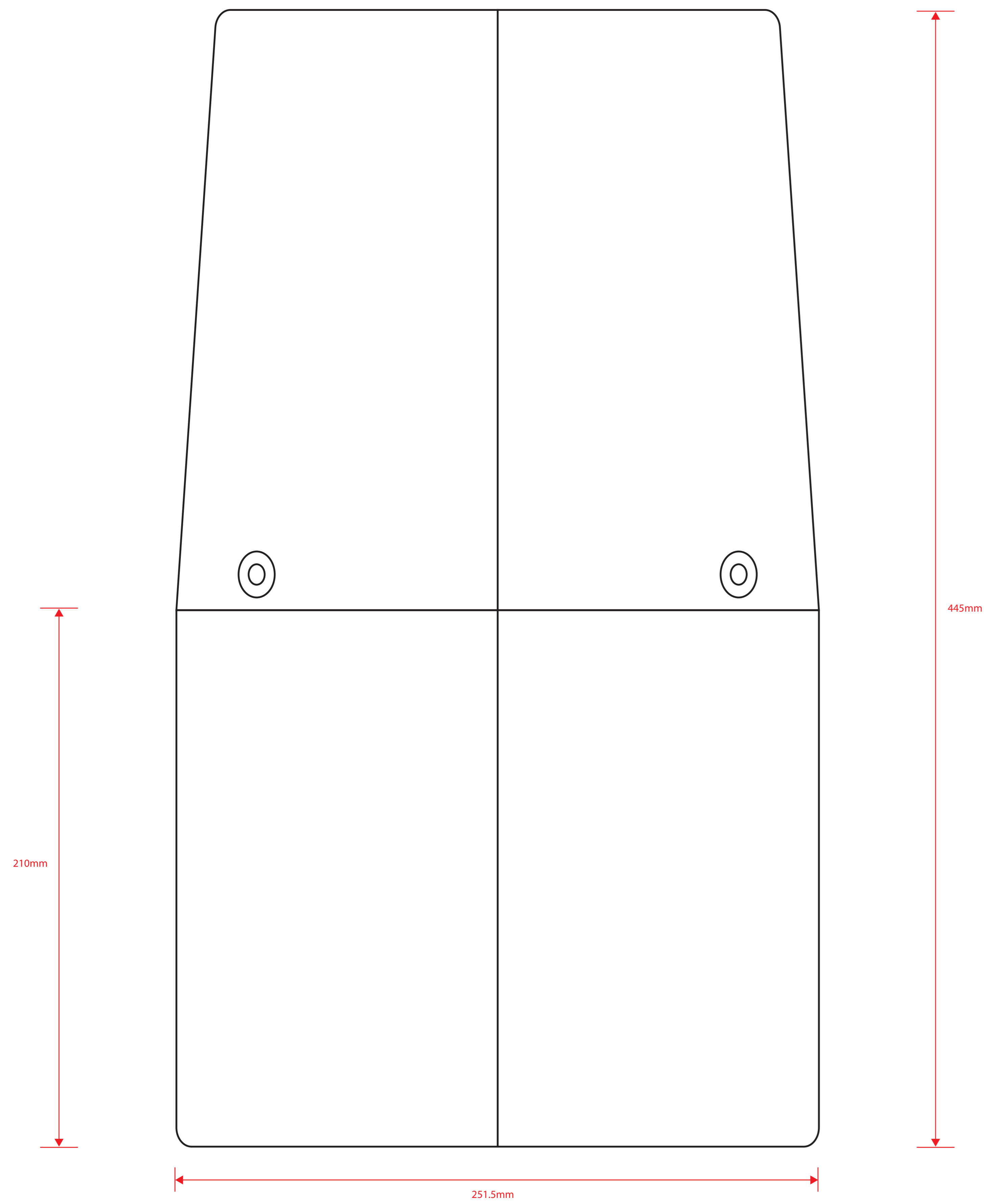


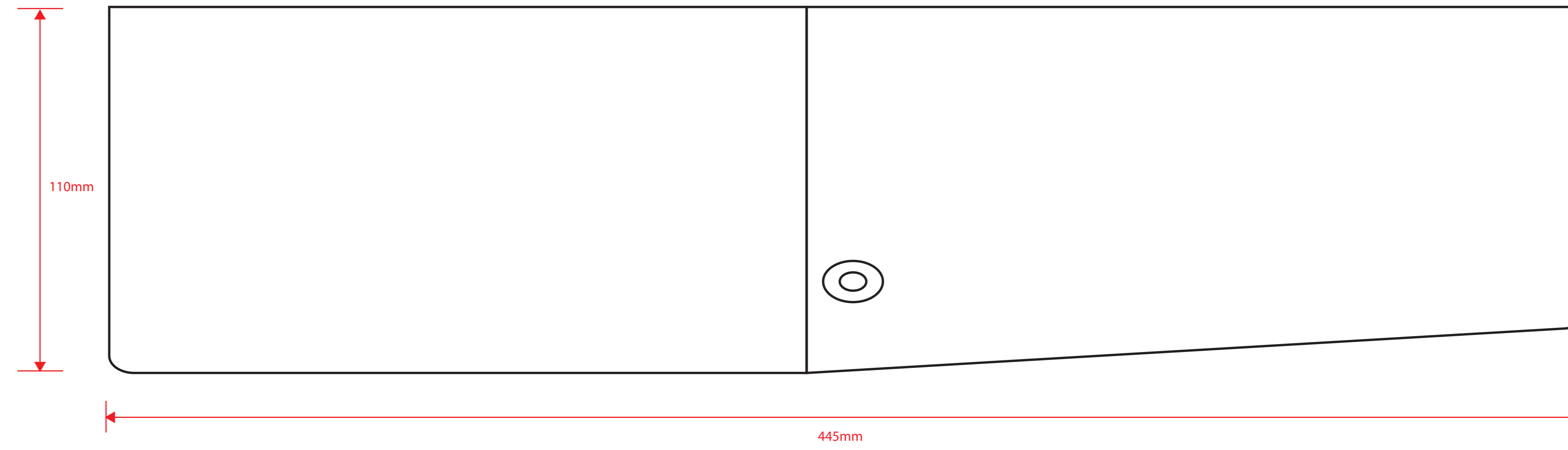
PLAN AT 40°

Outside measurements only
 *Measurement based on TapcoSlate, 5mm thick on factory-supplied cap at 40° angle All measurements are approximate.



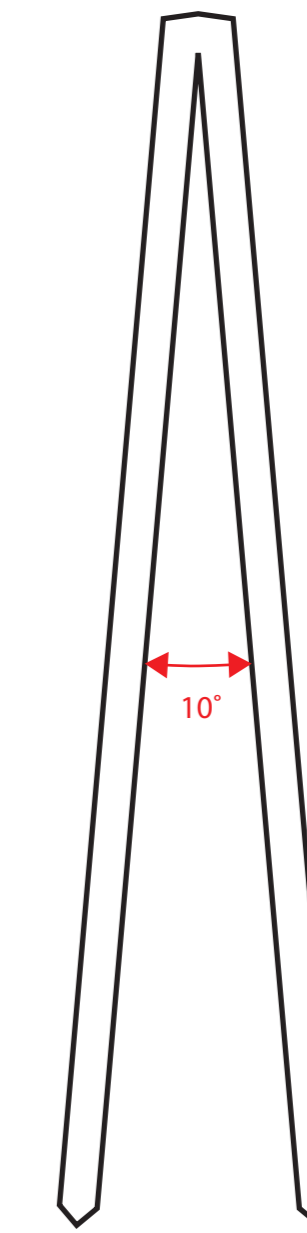
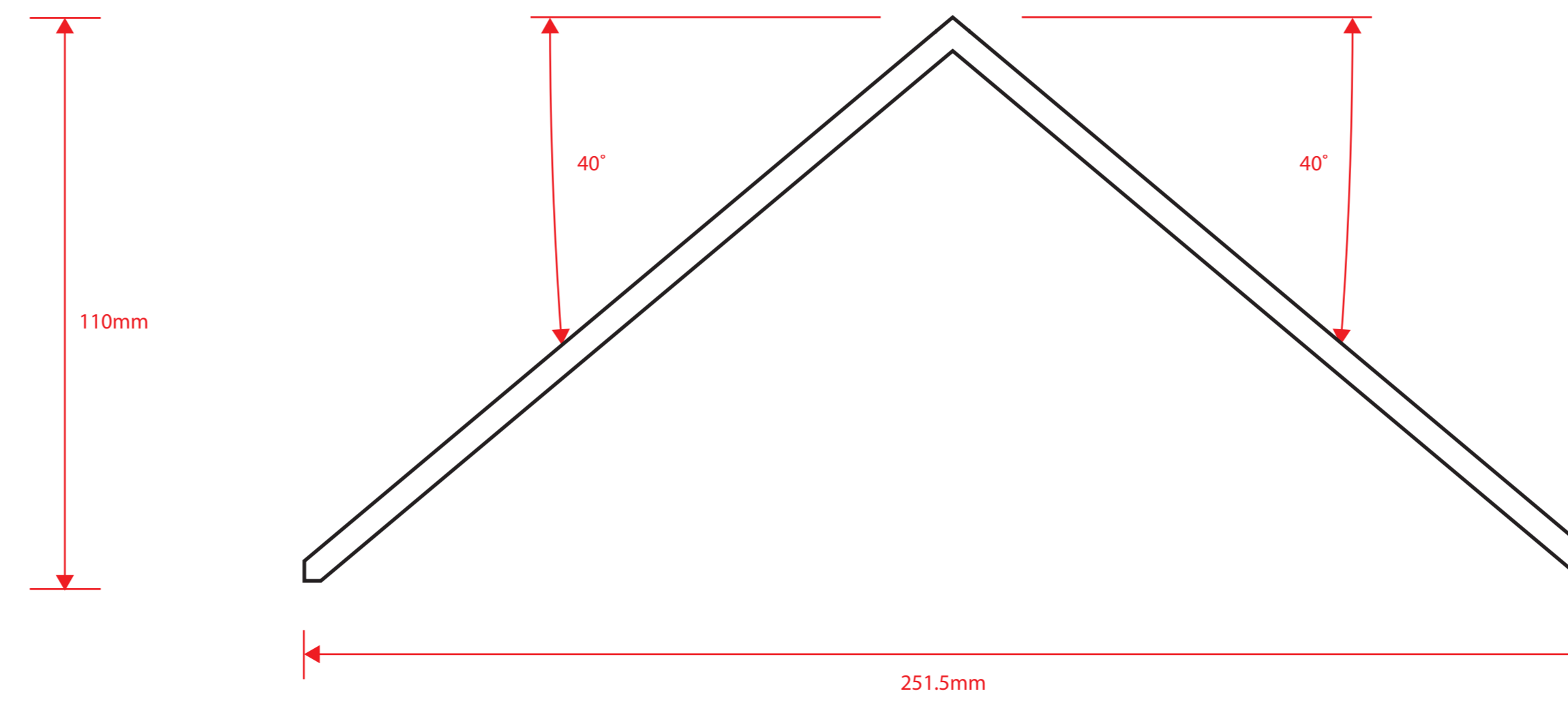
SIDE ELEVATION AT 40°

Outside measurements only
 *Measurement based on TapcoSlate, 5mm thick on factory-supplied cap at 40° angle All measurements are approximate.

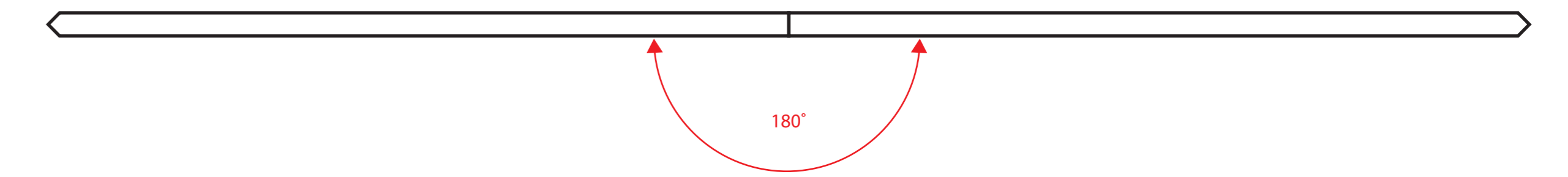


FRONT ELEVATION AT 40°

Outside measurements only
 *Measurement based on TapcoSlate, 5mm thick on factory-supplied cap at 40° angle All measurements are approximate.

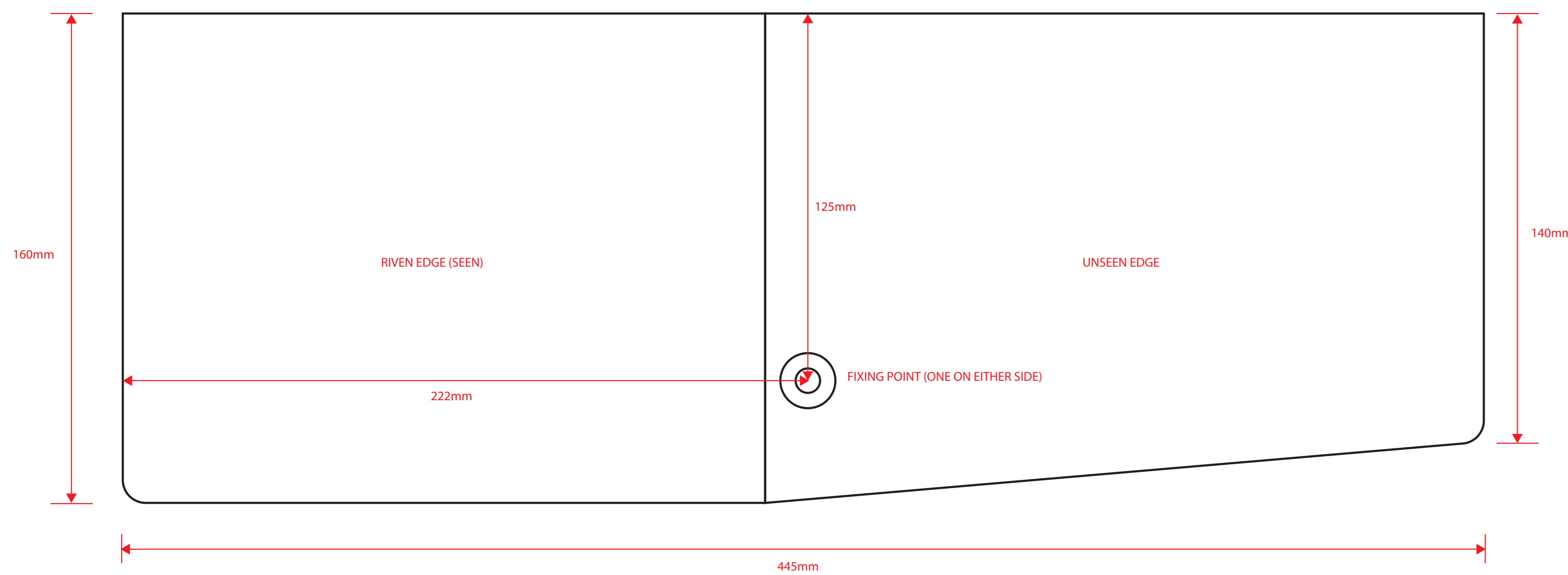


Adjustable "Hinge"
 *Measurement based on TapcoSlate, 5mm thick.
 Hinge can move through 10 to 180 degrees for universal ridge and hip fitment.



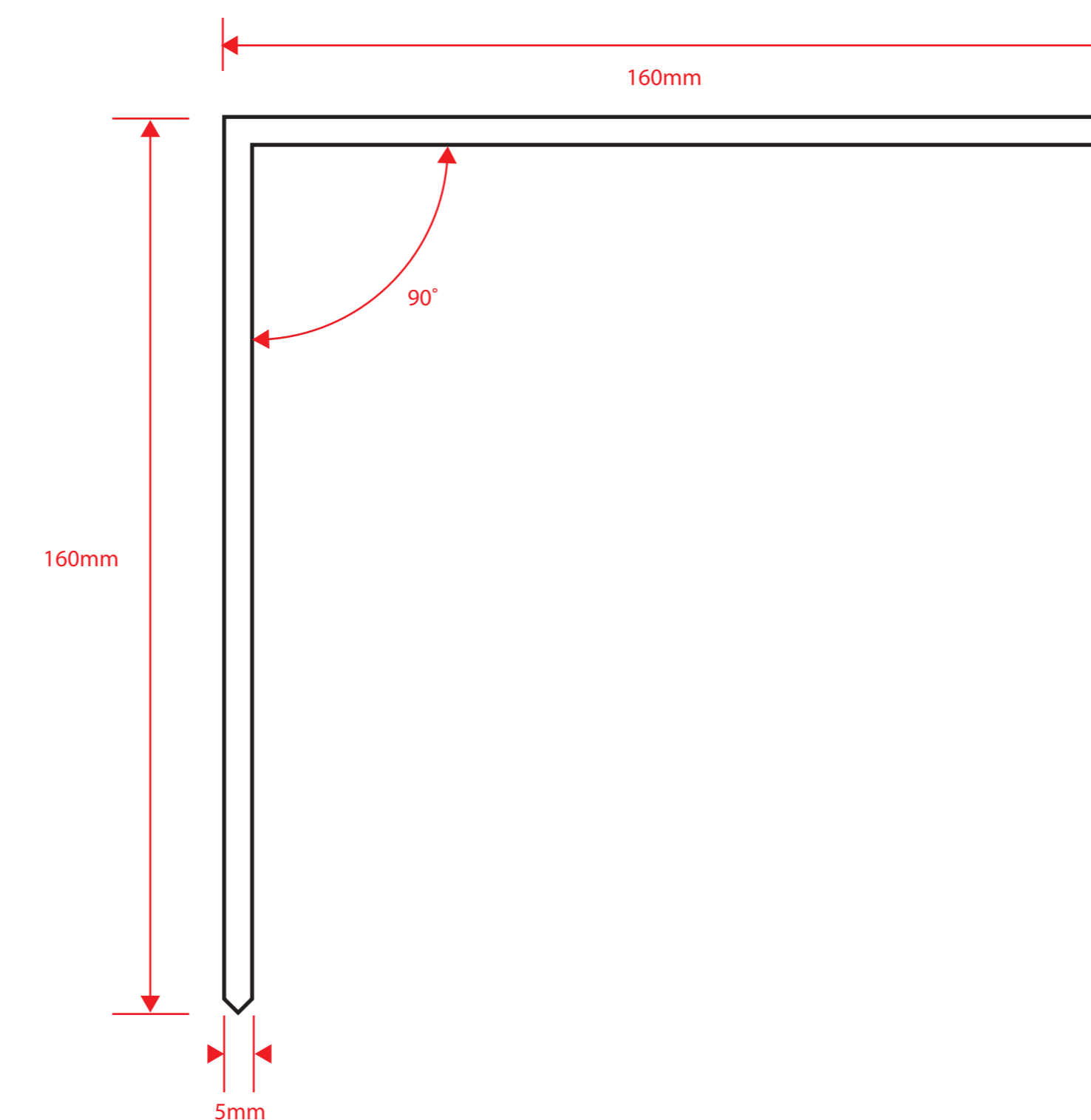
TRUE SIDE ELEVATION (& PLAN)

Outside measurements only
 *Measurement based on TapcoSlate, 5mm thick on factory-supplied cap All measurements are approximate.



TRUE FRONT ELEVATION

Outside measurements only
 *Measurement based on TapcoSlate, 5mm thick on factory-supplied cap All measurements are approximate.



TITLE: Classic Ridge & Hip Cap

SCALE: 100%

MATERIAL: Polypropylene (PP) and Limestone

NOTES:
 Universal fit, the Polypropylene hinge can reach 10 to 180 degrees. Note that for extrem angles and fitting in temperatures under 7° C the hinge should be heated with a hot air gun to prevent potential cracking of the material when fitting. Fixing with the use of two 50mm fixings in line with the published TapcoSlate Fixing Guide should be adhered to.