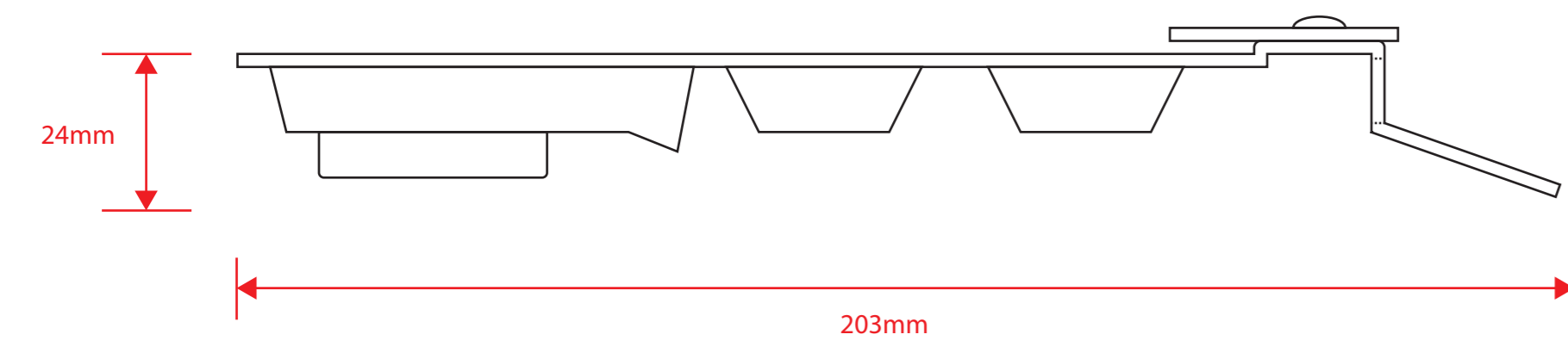


SIDE ELEVATION ABUTMENT VENTILATOR

Outside measurements only

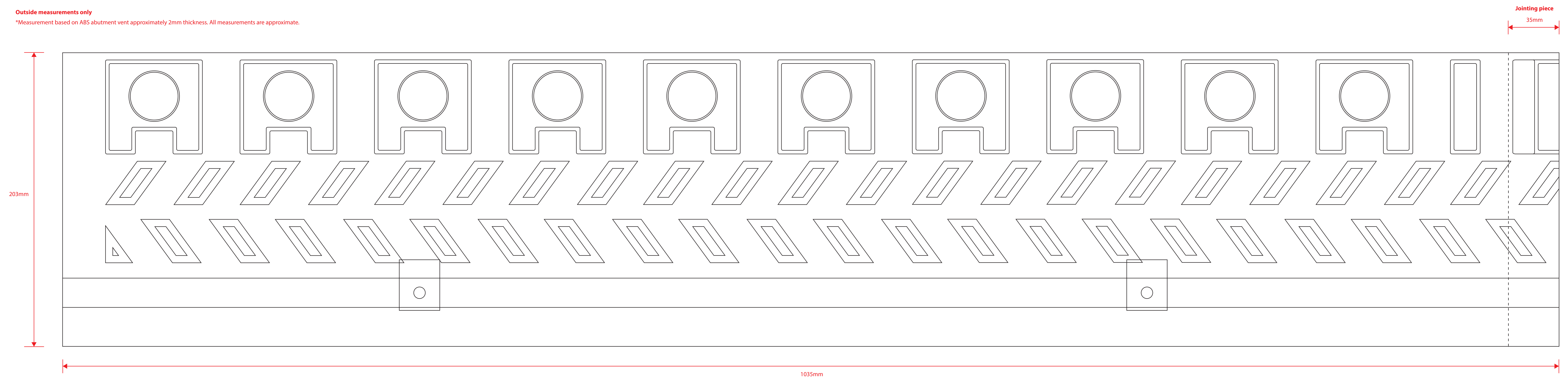
*Measurement based on ABS abutment vent approximately 2mm thickness. All measurements are approximate.



PLAN ABUTMENT VENTILATOR

Outside measurements only

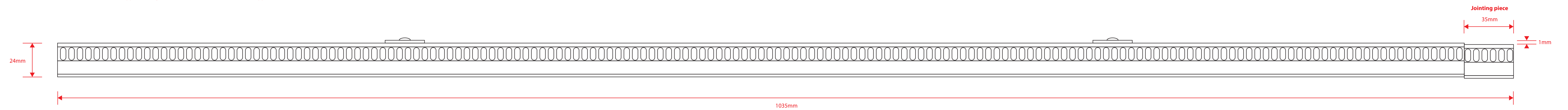
*Measurement based on ABS abutment vent approximately 2mm thickness. All measurements are approximate.



FRONT ELEVATION ABUTMENT VENTILATOR

Outside measurements only

*Measurement based on ABS abutment vent approximately 2mm thickness. All measurements are approximate.



TAPCOROOFINGPRODUCTS.CO.UK

TITLE: Abutment Ventilator

SCALE: 100%

MATERIAL: ABS

NOTES:

5000mm²/m high-level ventilation provision to comply with BS 5250 and Building Regulations.

Suitable for pitches of 20° and above. Can be used on lower pitches on geographical wind zones 1-3 (BS 5534); advice must be sought before lower-pitch installation.