

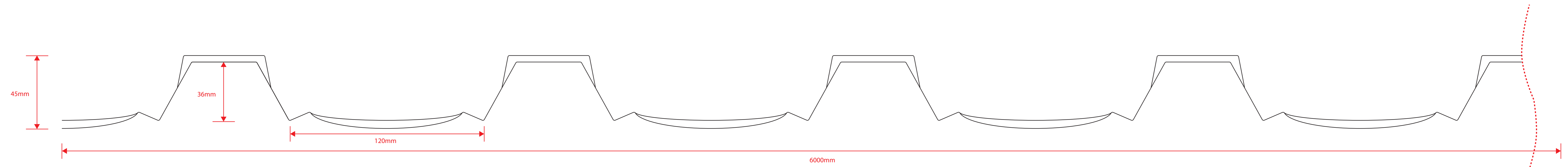
## FRONT ELEVATION 300mm RAFTER ROLL VENTILATOR

Outside measurements only

\*Measurement based on Vacuum-formed black PVC eaves skirt approximately 0.5mm thickness. All measurements are approximate.

Laid continuously over the rafters before the underlay is fixed, provides a maximum 25,000m<sup>3</sup> dependent on eaves ventilation inlet provision. Universal, adjusts for 400 - 600mm rafter centres. Available in 300mm width.

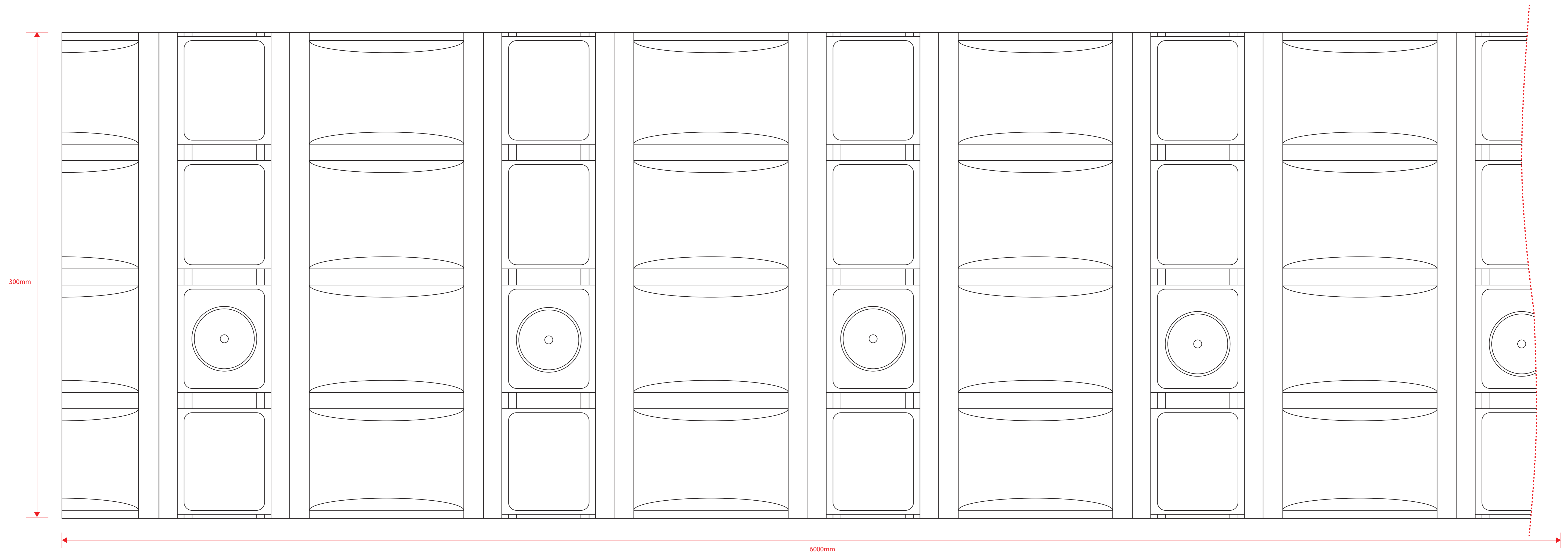
Effective coverage per length for rafter spacing:  
 600mm 6.0m or 10 rafter voids  
 450mm 6.0m or 13 rafter voids  
 400mm 6.0m or 15 rafter voids



## PLAN 300mm RAFTER ROLL VENTILATOR

Outside measurements only

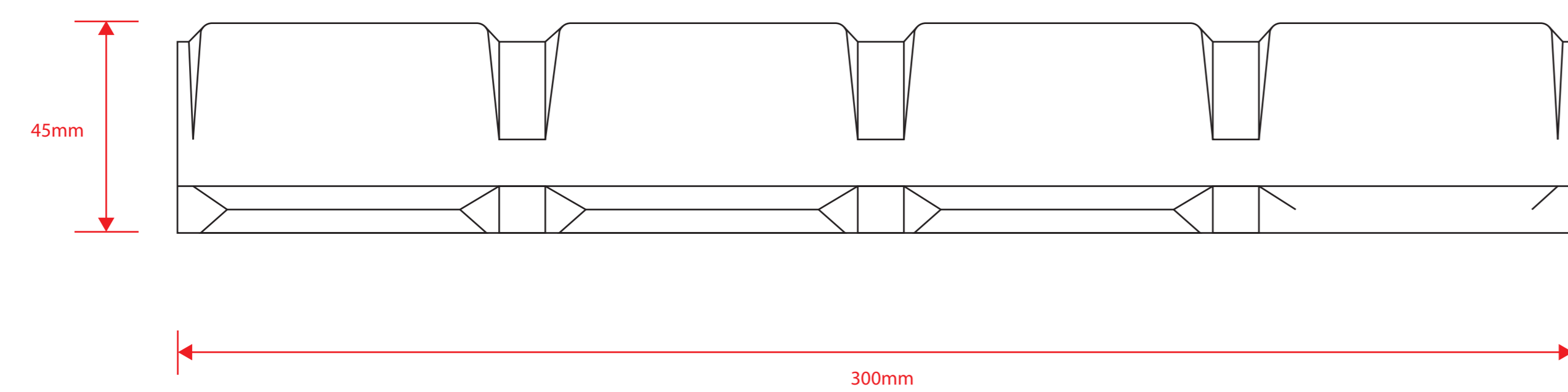
\*Measurement based on Vacuum-formed black PVC eaves skirt approximately 0.5mm thickness. All measurements are approximate.



## SIDE ELEVATION 300mm RAFTER ROLL VENTILATOR

Outside measurements only

\*Measurement based on Vacuum-formed black PVC eaves skirt approximately 0.5mm thickness. All measurements are approximate.



**TAPCOROOFINGPRODUCTS**.COM.AU

**TITLE:** 300mm Rafter Roll Ventilator

**SCALE:** 100%

**MATERIAL:** Vacuum-formed black PVC

**NOTES:**

Sold as part of the TEVK10 package, 300mm x 6m Rafter Roll Ventilator.

**TEVK10** = Kit comprises 6 lengths of 10,000mm/m air flow over fascia vent, 1 x 300mm x 6m rafter roll and 10 eaves skirts.