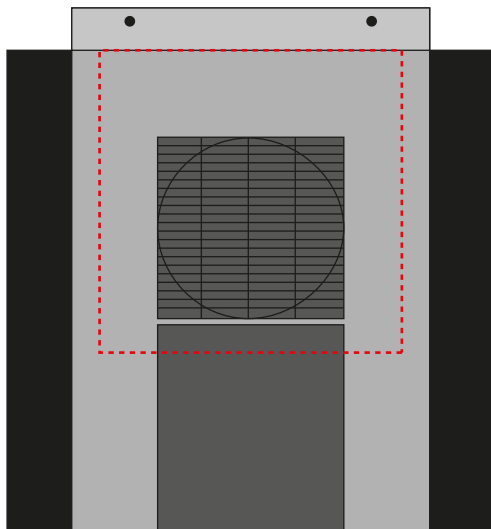


Fixing Guide

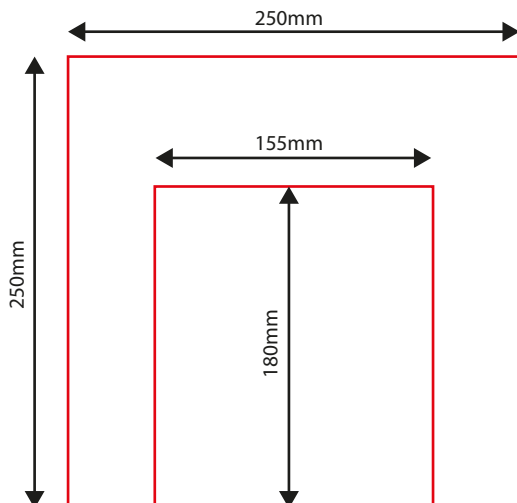
Universal In-line Soaker Slate Ventilator

Universal inline soaker slate ventilators are suitable for roof pitches of between 20° and 90°. For pitches above and below this please contact our technical department.

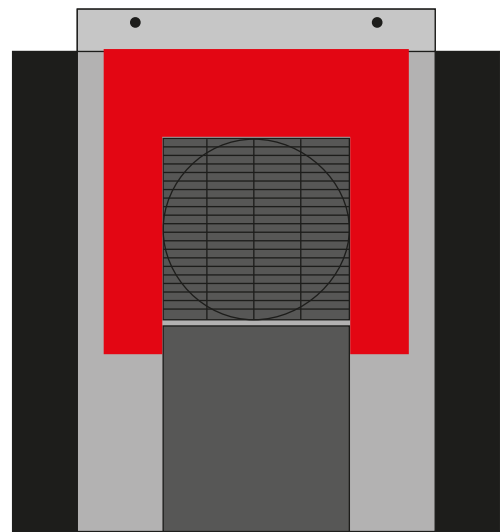
The ventilator has a non-nailable area, nailing into this area will cause irreparable damage to the unit. To help with the installation of this product, a piece of card or paper can be cut to sit around the central vent to use as a guide when securing the relevant TapcoSlates around it onto the battens.



The non-nailable area is highlighted in red in the diagram above. Cut a template to the dimensions below:



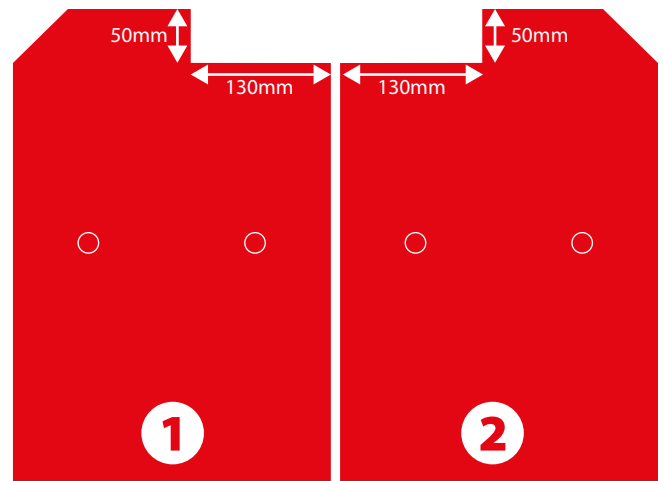
Place this template over the top of the ventilator each time you add a course of TapcoSlates and **do not** nail inside the template area.

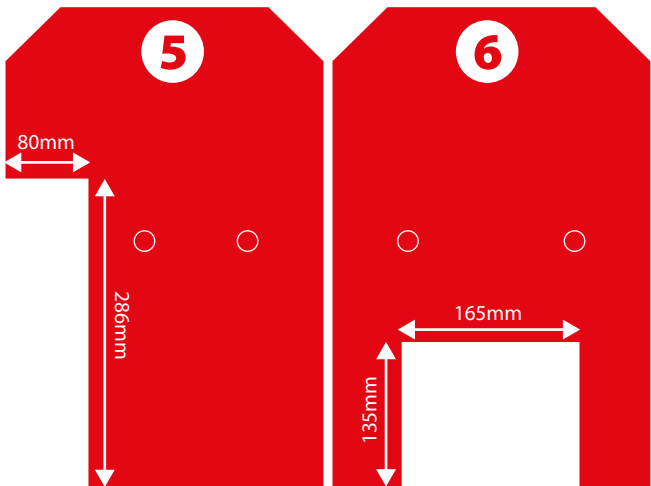
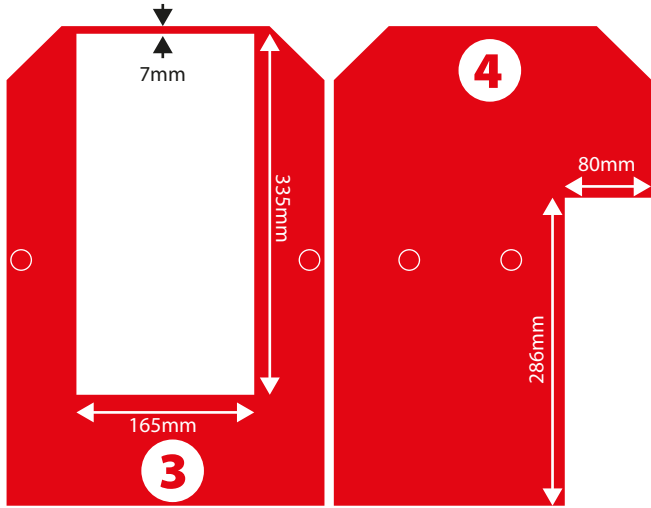


FITMENT TO 20° TO 25° PITCH ROOF: 6" EXPOSURE MARKING ON TAPCOSLATE

The following is a guide to the cut pieces of TapcoSlate you will need to fit the universal inline soaker slate ventilator to a roof with a 20° to 25° pitch.

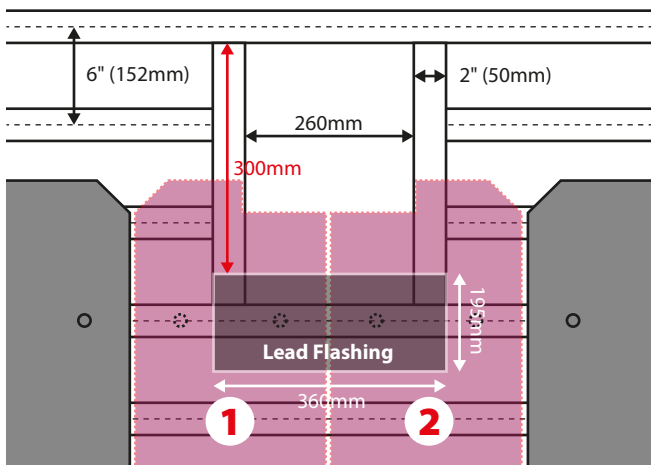
Measurements quoted here are approximate and may need to be trimmed appropriately on worksite.





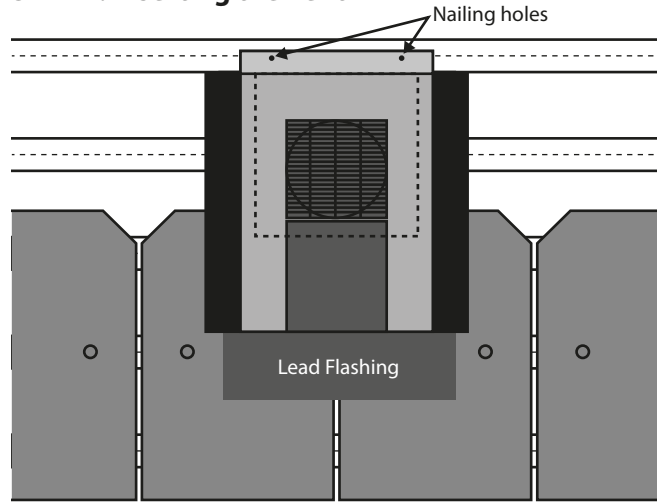
Please note that both of the TapcoSlate nailing guides on cut piece No. 3, to the right of No. 4, and to the left of No. 5 should not be used. Instead these should be nailed according to the **non-nailable area** discussed previously.

STEP 1: Batten Positioning & Under Vent Slate



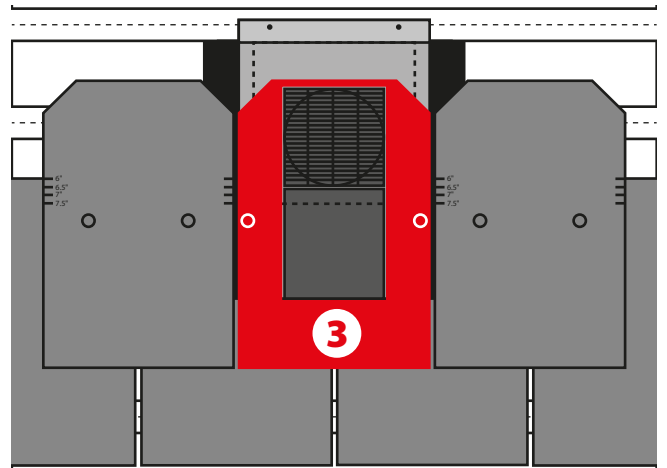
Battens should be spaced 6" (152mm) from centreline to centreline. Two battens should be cut to allow a hole for vent insertion. Bridging battens should be placed 260mm apart. 2" (50mm) by 1" (25mm) treated battens should be used with underlay (underlay excluded from diagram to show batten/tile placement). Fit cut pieces Nos. 1 & 2 as shown. A 360mm x 195mm lead (or equivalent) flashing should be fixed 300mm down from the top batten over the top of cut slates 1 & 2 to close the resulting small gap when all tiles are fitted.

STEP 2: Inserting the Vent



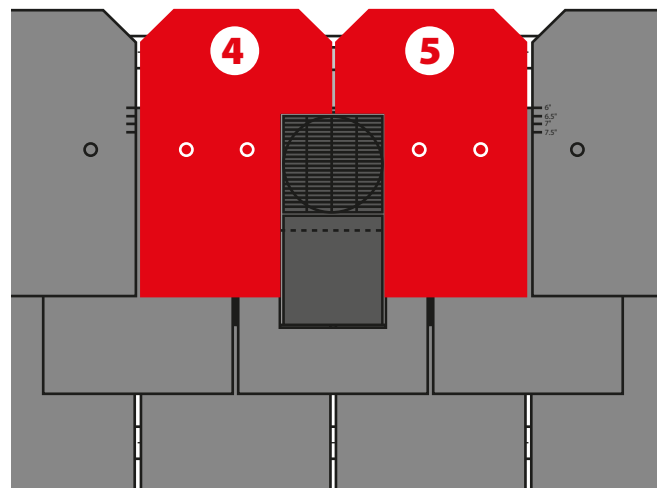
Fit the ventilator into the gap that was cut into the battens, push the unit up to the top batten and nail in place using the nailing holes provided.

STEP 3: Slate Positioning Over the Vent



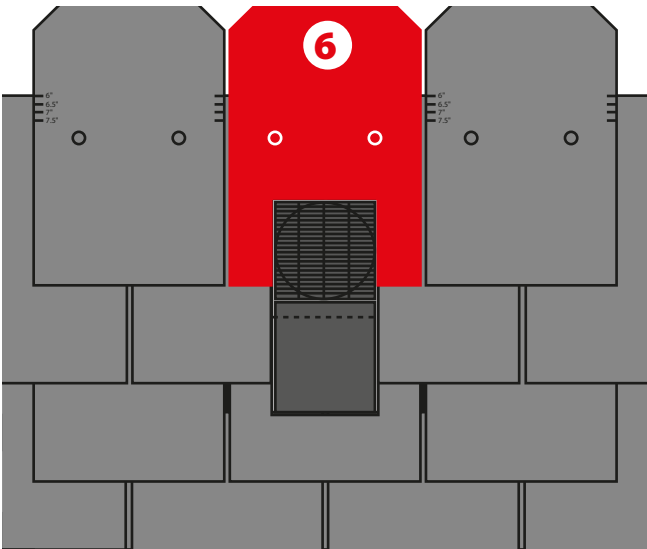
Fit cut piece 3 over the top of the ventilator. The top of the first course slates should line up with the 6" exposure lines on this second course. The non-nailable area guide should then be used to locate the new nailing areas needed to secure cut piece 3 as the standard nailing markers **should not be used** (nailing here would damage the ventilator).

STEP 4: Slate Positioning Around the Vent



Fit cut pieces 4 and 5 centralised over the top of the ventilator. Again, the top of the second course slates should line up with the 6" exposure lines on this third course. The non-nailable area guide should then be used to locate the new nailing areas needed to secure cut pieces 4 and 5 on just the inside edges where the slate meets the ventilator raised centre. The standard nailing guides can be used on the outside edges which are well outside the non-nailing area.

STEP 5: Finalising the Vent Install

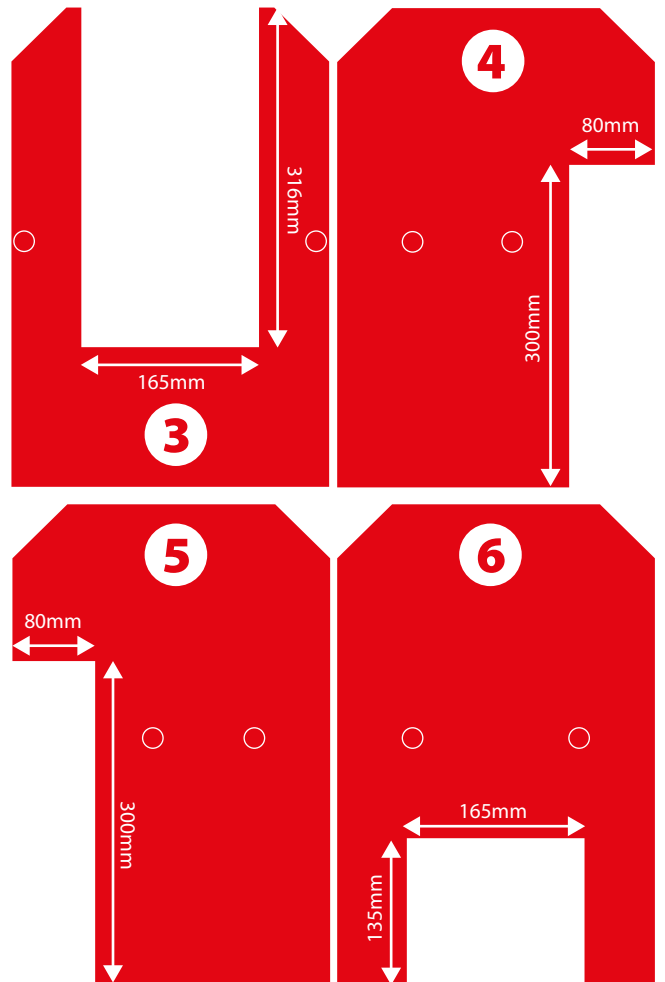
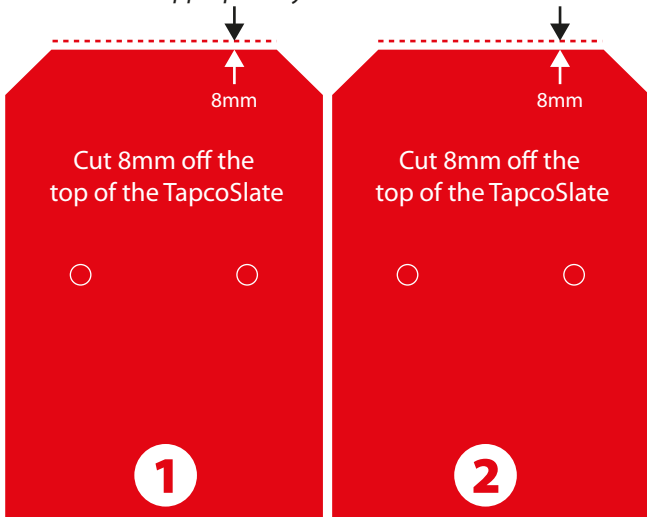


Fit cut piece 6 central over the top of the ventilator. As before, the top of the third course slates should line up with the 6" exposure lines on this fourth course. Secure in place using the standard nailing areas on the TapcoSlate and then add slate courses to the side and above.

**FITMENT TO 25° TO 27.5° PITCH ROOF:
6.5" EXPOSURE MARKING ON TAPCOSLATE**

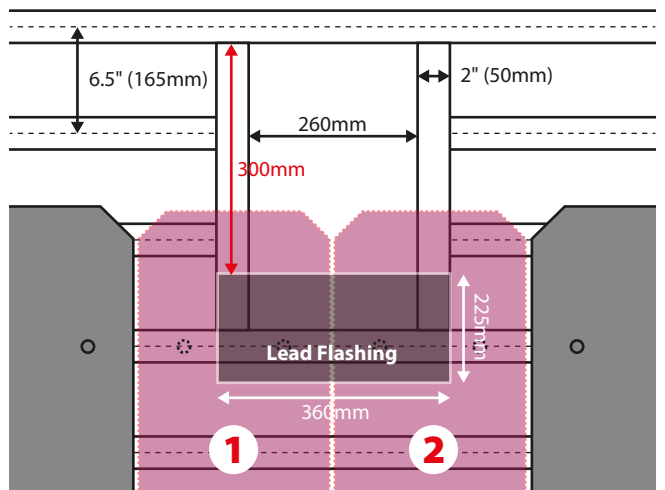
The following is a guide to the cut pieces of TapcoSlate you will need to fit the universal inline soaker slate ventilator to a roof with a 25° to 27.5° pitch.

Measurements quoted here are approximate and may need to be trimmed appropriately on worksite.



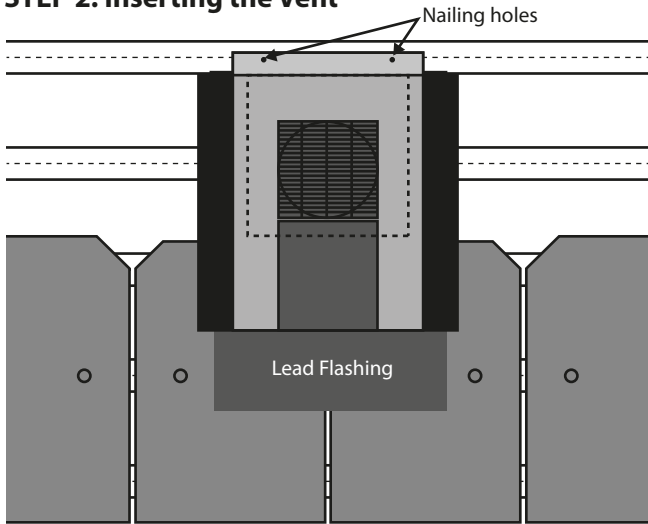
Please note that both of the TapcoSlate nailing guides on cut piece No. 3, to the right of No. 4, and to the left of No. 5 should not be used. Instead these should be nailed according to the **non-nailable area** discussed on page 1.

STEP 1: Batten Positioning & Under Vent Slate



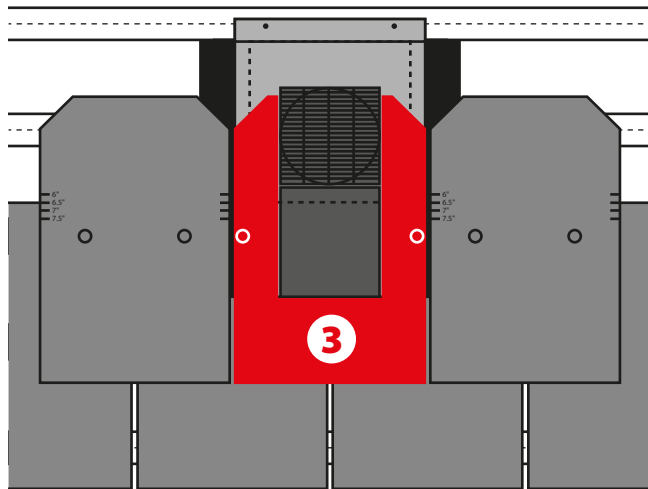
Battens should be spaced 6.5" (165mm) from centreline to centreline. Two battens should be cut to allow a hole for vent insertion. Bridging battens should be placed 260mm apart. 2" (50mm) by 1" (25mm) treated battens should be used with underlay (underlay excluded from diagram to show batten/tile placement). Fit cut pieces Nos. 1 & 2 as shown. A 360mm x 225mm lead (or equivalent) flashing should be fixed 300mm down from the top batten over the top of cut slates 1 & 2 to close the resulting small gap when all tiles are fitted.

STEP 2: Inserting the Vent



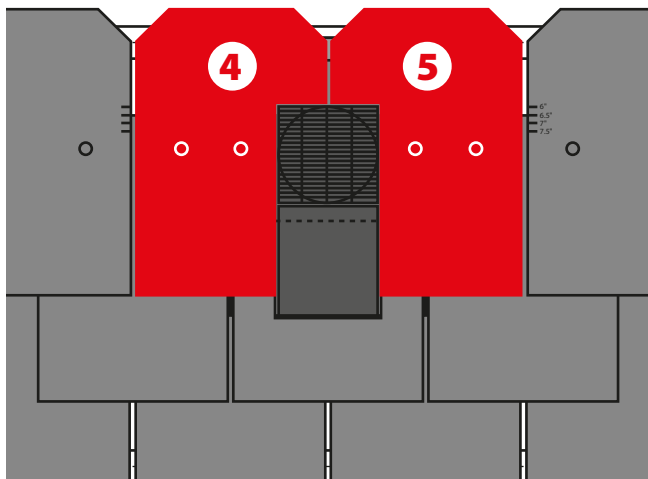
Fit the ventilator into the gap that was cut into the battens, push the unit up to the top batten and nail in place using the nailing holes provided.

STEP 3: Slate Positioning Over the Vent



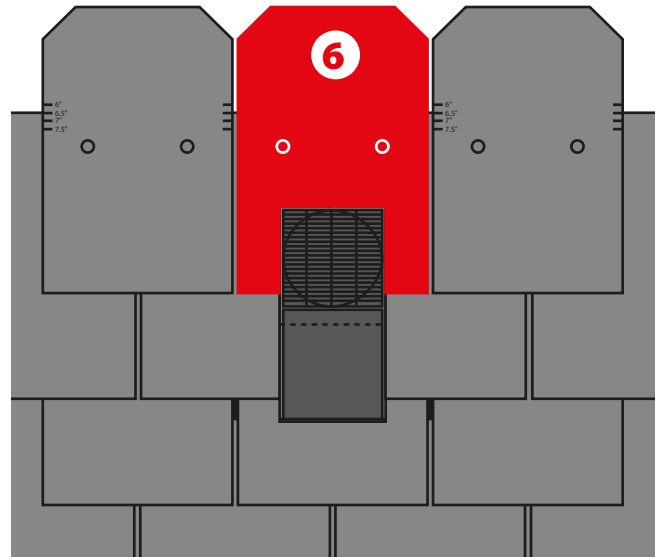
Fit cut piece 3 over the top of the ventilator. The top of the first course slates should line up with the 6.5" exposure lines on this second course. The non-nailable area guide should be used to locate the new nailing areas needed to secure cut piece 3, the standard nailing markers **should not be used** (nailing here would damage the ventilator).

STEP 4: Slate Positioning Around the Vent



Fit cut pieces 4 and 5 centralised over the top of the ventilator. Again, the top of the second course slates should line up with the 6.5" exposure lines on this third course. The non-nailable area guide should then be used to locate the new nailing areas needed to secure cut pieces 4 and 5 on just the inside edges where the slate meets the ventilator raised centre. The standard nailing guides can be used on the outside edges which are well outside the non-nailing area.

STEP 5: Finalising the Vent Install

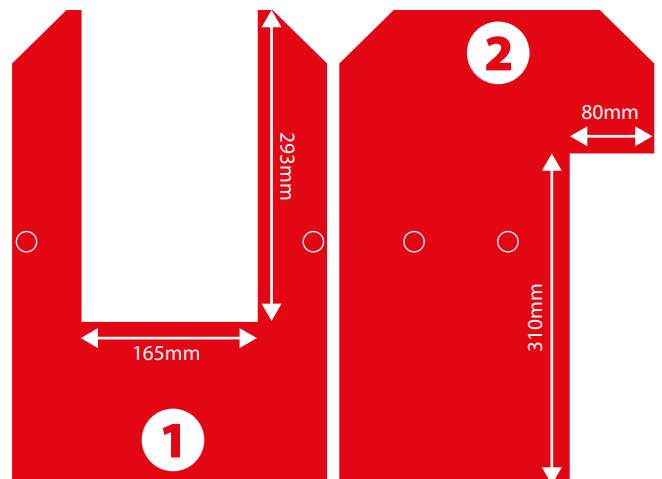


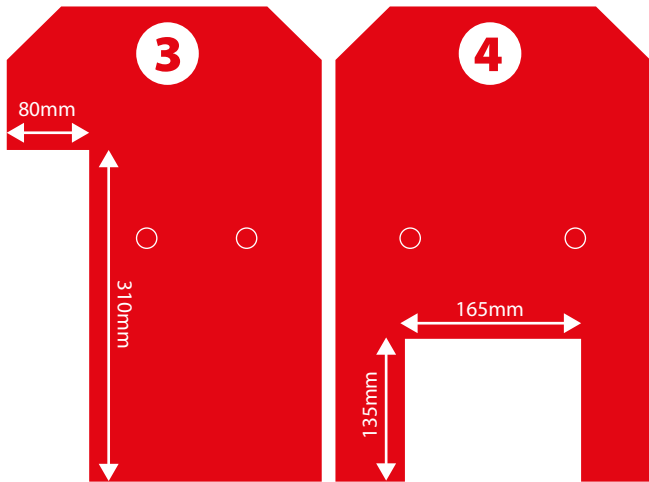
Fit cut piece 6 central over the top of the ventilator. As before, the top of the third course slates should line up with the 6.5" exposure lines on this fourth course. Secure in place using the standard nailing areas on the TapcoSlate and then add slate courses to the side and above.

FITMENT TO 27.5° TO 30° PITCH ROOF: 7" EXPOSURE MARKING ON TAPCOSLATE

The following is a guide to the cut pieces of TapcoSlate you will need to fit the universal inline soaker slate ventilator to a roof with a 27.5° to 30° pitch.

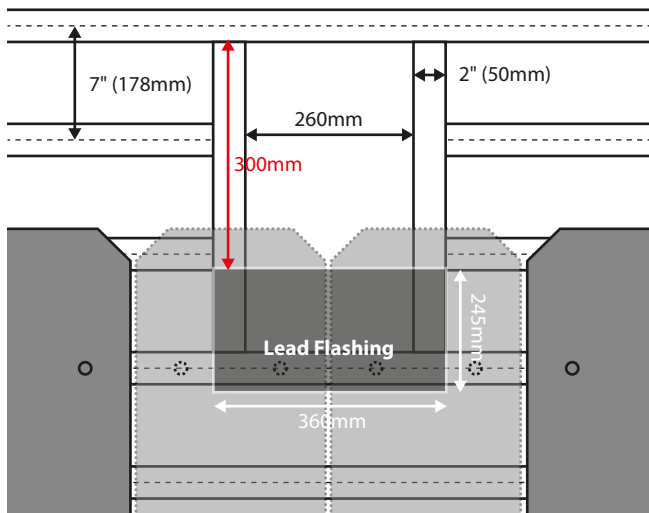
Measurements quoted here are approximate and may need to be trimmed appropriately on worksite.





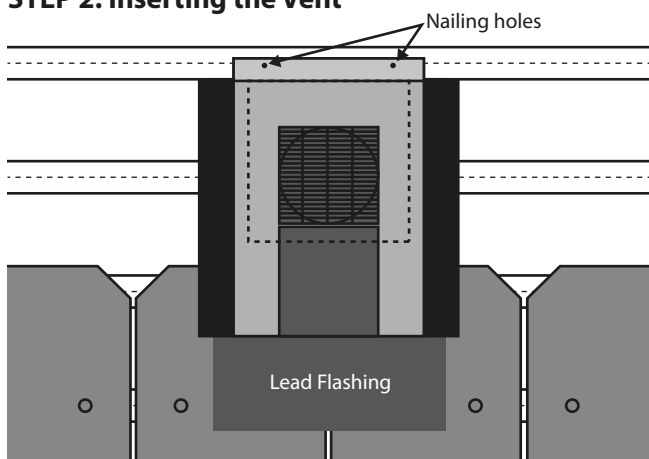
Please note that both of the TapcoSlate nailing guides on cut piece No. 1, to the right of No. 2, and to the left of No. 3 should not be used. Instead these should be nailed according to the **non-nailable area** discussed on page 1.

STEP 1: Batten Positioning & Under Vent Slate



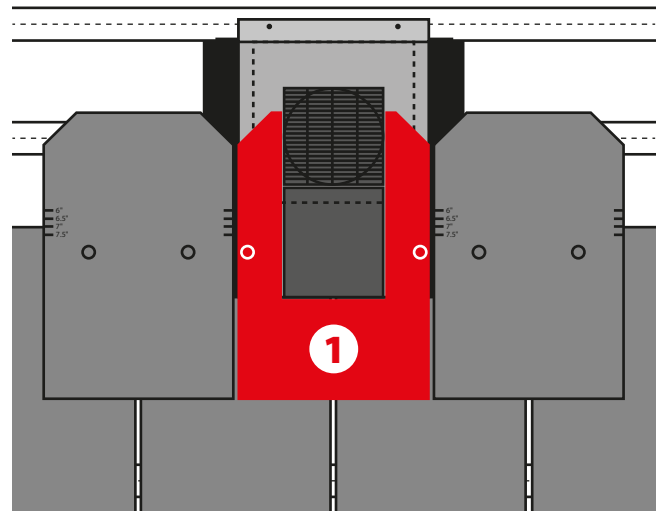
Battens should be spaced 7" (178mm) from centreline to centreline. Two battens should be cut to allow a hole for vent insertion. Bridging battens should be placed 260mm apart. 2" (50mm) by 1" (25mm) treated battens should be used with underlay (underlay excluded from diagram to show batten/tile placement). There are no cuts needed for the first row of slates, fix as shown in the diagram above. A 360mm x 245mm lead (or equivalent) flashing should be fixed 300mm down from the top batten over the top of the slates to close the resulting small gap when all tiles are fitted.

STEP 2: Inserting the Vent



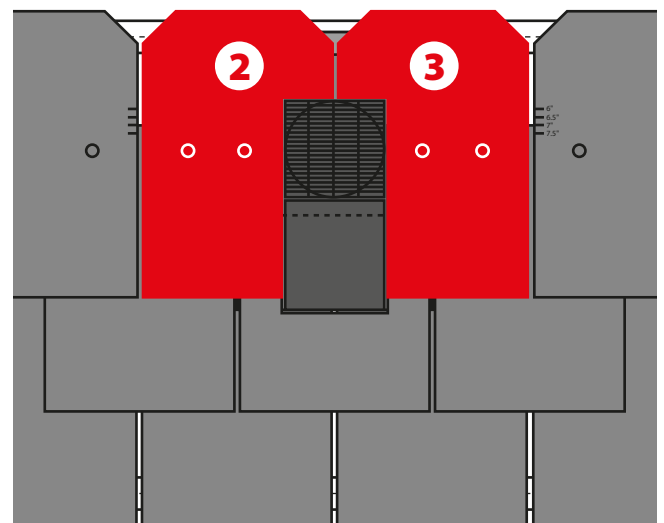
Fit the ventilator into the gap that was cut into the battens, push the unit up to the top batten and nail in place using the nailing holes provided.

STEP 3: Slate Positioning Over the Vent



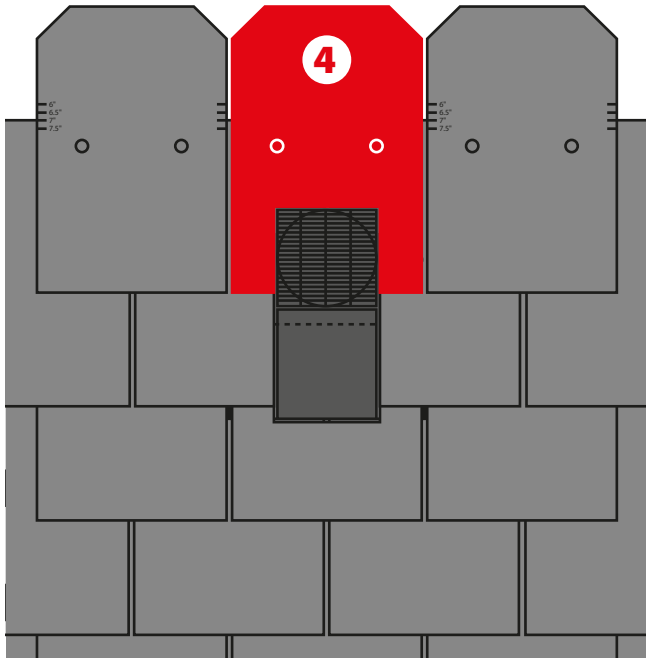
Fit cut piece 1 over the top of the ventilator. The top of the first course slates should line up with the 7" exposure lines on this second course. The non-nailable area guide should be used to locate the new nailing areas needed to secure cut piece 1, the standard nailing markers **should not be used** (nailing here would damage the ventilator).

STEP 4: Slate Positioning Around the Vent



Fit cut pieces 2 and 3 centralised over the top of the ventilator. Again, the top of the second course slates should line up with the 7" exposure lines on this third course. The non-nailable area guide should then be used to locate the new nailing areas needed to secure cut pieces 2 and 3 on just the inside edges where the slate meets the ventilator raised centre. The standard nailing guides can be used on the outside edges which are well outside the non-nailing area.

STEP 5: Finalising the Vent Install

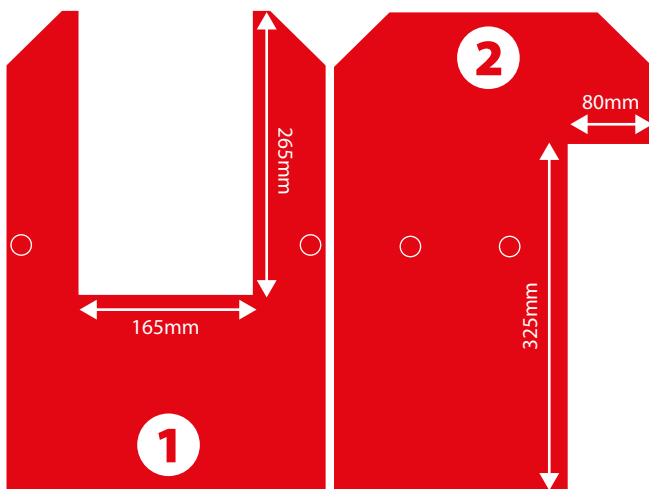


Fit cut piece 4 central over the top of the ventilator. As before, the top of the third course slates should line up with the 7" exposure lines on this fourth course. Secure in place using the standard nailing areas on the TapcoSlate and then add slate courses to the side and above.

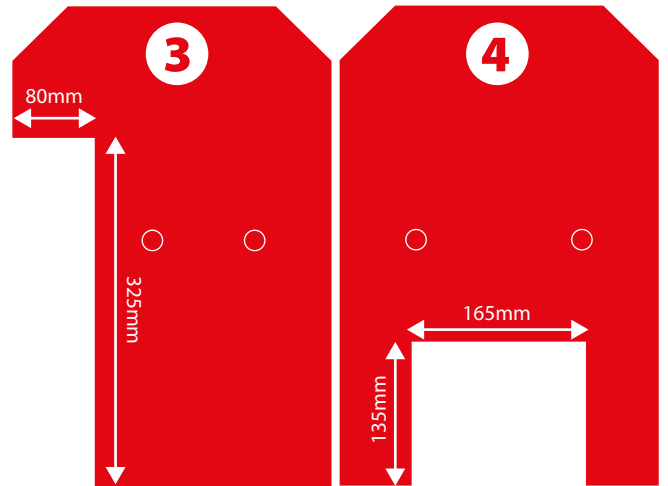
FITMENT TO 30° TO 90° PITCH ROOF: 7.5" EXPOSURE MARKING ON TAPCOSLATE

The following is a guide to the cut pieces of TapcoSlate you will need to fit the universal inline soaker slate ventilator to a roof with a 30° to maximum 90° pitch.

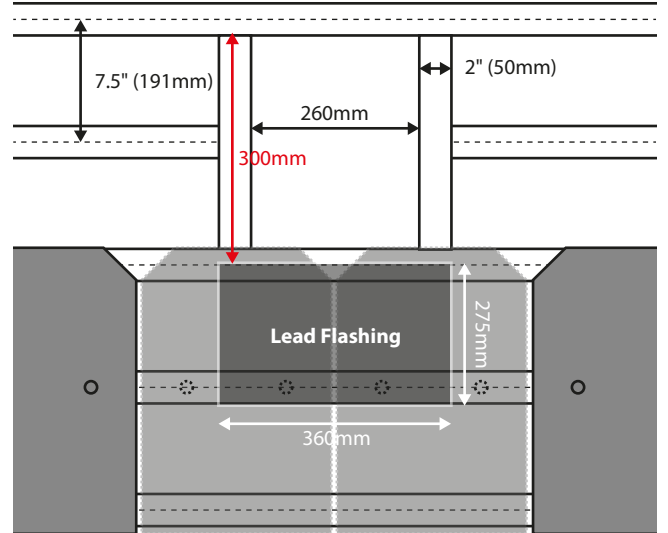
Measurements quoted here are approximate and may need to be trimmed appropriately on worksite.



Please note that both of the TapcoSlate nailing guides on cut piece No. 1, to the right of No. 2, and to the left of No. 3 should not be used. Instead these should be nailed according to the **non-nailable area** discussed on page 1.

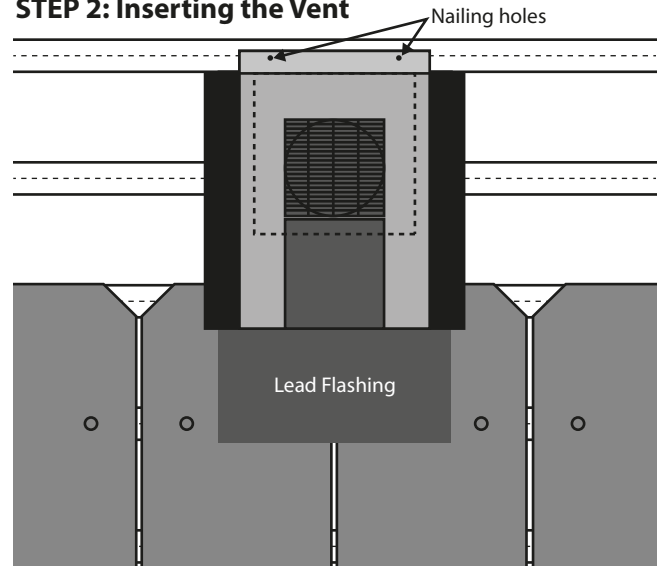


STEP 1: Batten Positioning & Under Vent Slate



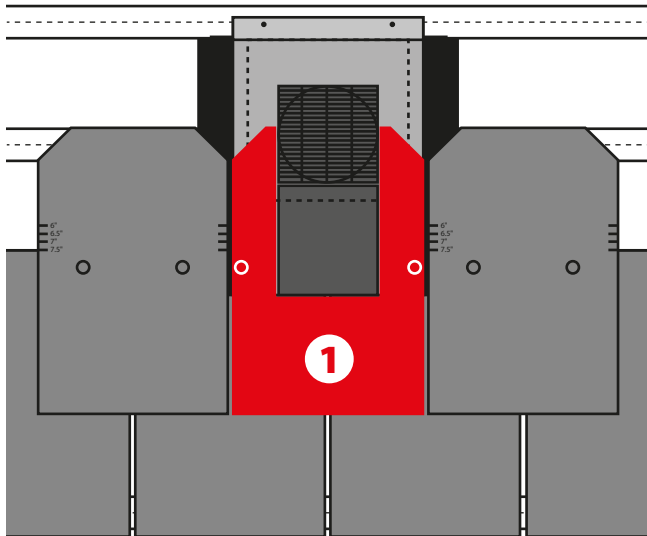
Battens should be spaced 7.5" (191mm) from centreline to centreline. Two battens should be cut to allow a hole for vent insertion. Bridging battens should be placed 260mm apart. 2" (50mm) by 1" (25mm) treated battens should be used with underlay (underlay excluded from diagram to show batten/tile placement). There are no cuts needed for the first row of slates, fix as shown in the diagram above. A 360mm x 275mm lead (or equivalent) flashing should be fixed 300mm down from the top batten over the top of the slates to close the resulting small gap when all tiles are fitted.

STEP 2: Inserting the Vent



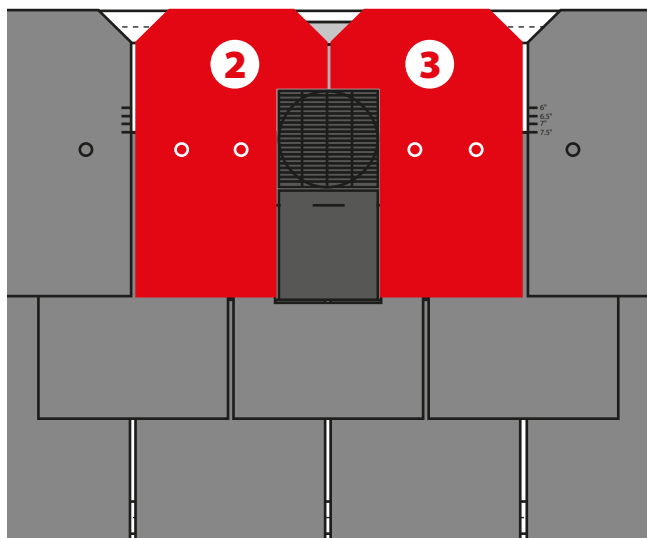
Fit the ventilator into the gap that was cut into the battens, push the unit up to the top batten and nail in place using the nailing holes provided.

STEP 3: Slate Positioning Over the Vent



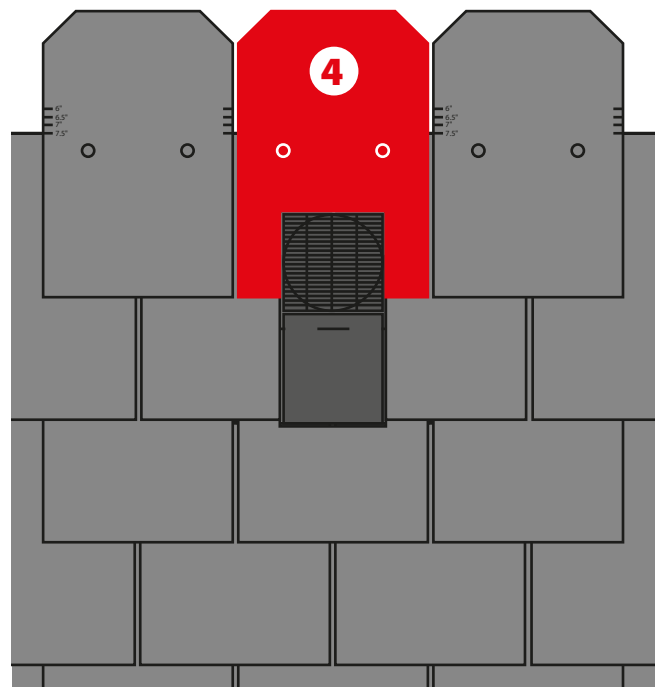
Fit cut piece 1 over the top of the ventilator. The top of the first course slates should line up with the 7.5" exposure lines on this second course. The non-nailable area guide should be used to locate the new nailing areas needed to secure cut piece 1, the standard nailing markers **should not be used** (nailing here would damage the ventilator).

STEP 4: Slate Positioning Around the Vent



Fit cut pieces 2 and 3 centralised over the top of the ventilator. Again, the top of the second course slates should line up with the 7.5" exposure lines on this third course. The non-nailable area guide should then be used to locate the new nailing areas needed to secure cut pieces 2 and 3 on just the inside edges where the slate meets the ventilator raised centre. The standard nailing guides can be used on the outside edges which are well outside the non-nailing area.

STEP 5: Finalising the Vent Install



Fit cut piece 4 central over the top of the ventilator. As before, the top of the third course slates should line up with the 7.5" exposure lines on this fourth course. Secure in place using the standard nailing areas on the Tapco-Slate and then add slate courses to the side and above.

